

# HIGH-RATE SERIES

## TC-12150C

VAIVE REGULATED  
LEAD ACID BATTERY (V.R.L.A.)

ABSORBED GLASS MAT  
TECHNOLOGY (A.G.M.)

10 YEAR DESIGN FOR UPS &  
STANDBY APPLICATIONS



### FEATURES & BENEFITS

- Ten year design life in float service.
- Available with High Temperature feature, which permits normal life at temperatures up to 90°F (32°C). Add "HT" to part #: TC-12150C-HT.
- Flame retardant case compliant with UL1778 requirements.
- Absorbed glass mat technology (AGM) with gas recombination greater than 99%.
- Operates at a low internal pressure.
- Never needs watering; minimal maintenance.
- Shock absorbent thick wall polypropylene plastic, case and cover.
- Advanced lead tin calcium alloy, reduces grid corrosion and promotes long battery life.
- Pressure cast non-porous terminal bushings, eliminates post leakage.
- Thermally welded case to cover bond; eliminates both acid and electrical leaks.
- Over-sized, through the partition inter-cell welds for minimal power loss.
- Measured high vacuum acid fill, reduces electrical variability between cells.
- 100% recyclable materials.

### SPECIFICATIONS

Cells / Volts	6 cells / 12 volts
Terminal type	Threaded copper insert, 1/4"
Maximum discharge current	805 amps
Short circuit current	5454 amps
Impedance @ 25°C/77°F	2.2 milliohms
Electrolyte (S.G.)	1.300
Electrolyte content	5.26 lit. / 1.4 gal. / 15.18 lbs
Capacity @ 25°C/77°F to 1.75 V.P.C.	136 AH @ C/20 128 AH @ C/8
Operating temperature range:	-40°C/-40°F to 60°C/140°F
Charging voltage / current:	2.27 to 2.30 volts per cell, constant voltage at a maximum current of C/4 amps.
Temperature compensation: Apply for temperature range of 0°C/32°F to 40°C/104°F.	Subtract 3mV/°C/cell or 1.7 mV/°F/cell, above 25°C/77°F. Add 3 mV/°C/cell or 1.7 mV/°F/cell, below 25°C/77°F.
Storage time from a fully charged condition:	6 months at 25°C/77°F. For each 9°C/15°F rise, reduce the storage time by half.
AC ripple from charging source	1.5% peak to peak of float
Overall dimensions (inches, mm)	10.87" H x 13.50" L x 6.76" W 276mm H x 344mm L x 172mm W
Weight lbs/kgs	103.5 / 46.9

### NO TRANSPORT RESTRICTIONS

- Surface transport. Classified as non-hazardous material as relates to DOTCFR Title 49 part 171-189.
- Maritime transport. Classified as non-hazardous material as per IMDG amendment 27.
- Air transport. Complies with IATA / ICAO, special provision A67.

### OPTIONS

- Custom inter-connecting battery cables.
- Hardware kit: HMP-10.
- Terminal cover: TC7L & TC7R.
- Handle.

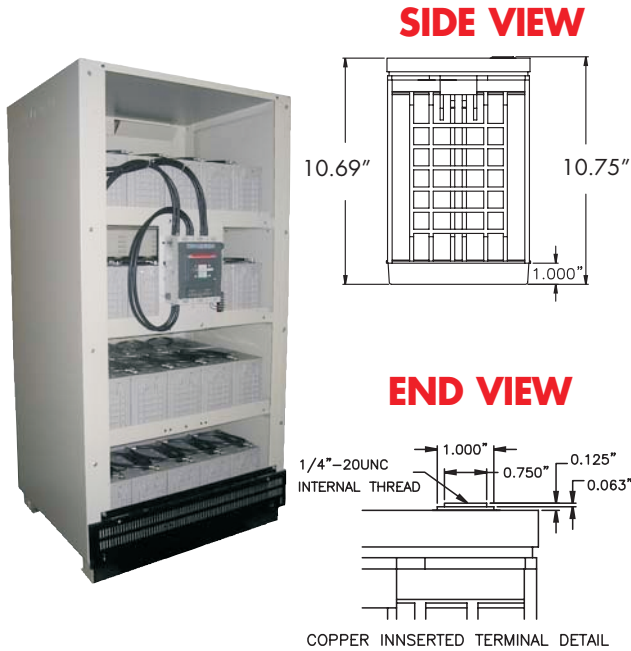
### DISCHARGE SPECIFICATIONS

Model #	WATTS PER BATTERY/CELL TO 1.67 V.P.C. @ 77°F (25°C) IN MINUTES									
	1	5	10	15	20	30	40	45	50	60
Per Battery	7980	5480	3900	3030	2520	1830	1480	1350	1260	1128
Per Cell	1330	913	650	505	420	305	246	225	210	188

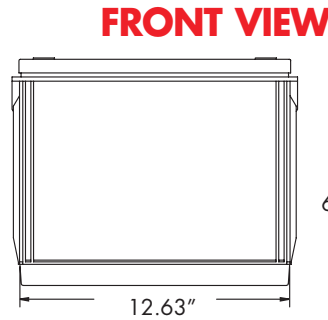
# HIGH-RATE SERIES

## TC-12150C

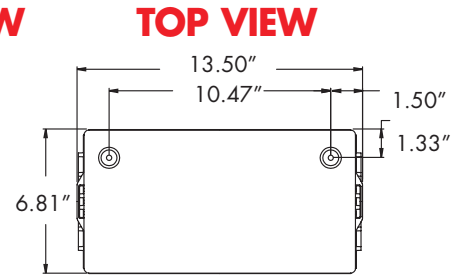
POWER BATTERY offers an extensive line of pre-wired and fused battery cabinets complete with UL and CUL approval. Custom DC voltages, breakers and chargers are also available.



**SIDE VIEW**

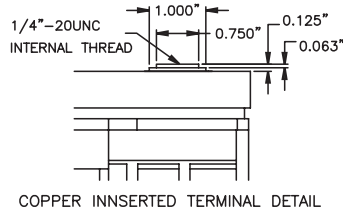


**FRONT VIEW**



**TOP VIEW**

**END VIEW**



COPPER INSERTED TERMINAL DETAIL

### BATTERY CABINET SYSTEMS (PRE-WIRED WITH PRC/TC-12150C BATTERIES)

Battery cabinet model	Maximum # of batteries	Dimensions			Weight lbs/kg
		inches / millimeters			
		W	D	H	
KS6	4	16.0/406	34.5/876	17.75/451	499/226
KS7	8	16.0/406	34.5/876	37.25/946	998/453
CR1	12	24.0/610	32.5/826	43.0/1092	1532/695
CR3	20	40.0/1016	32.5/826	43.0/1092	2446/1110
CR6	30	40.0/1016	32.5/826	60.0/1524	3622/1643
CR4	40	40.0/1016	32.5/826	77.0/1956	4798/2176
CR5	48	48.0/1219	32.5/826	77.0/1956	5703/2592

## DISCHARGE SPECIFICATIONS

### CONSTANT POWER RATINGS, WATTS PER BATTERY @ 77°F (25°C) IN MINUTES

Final V.P.C.	1	5	10	15	20	30	40	45	50	60
1.60	8331	5673	3975	3065	2543	1843	1490	1359	1267	1131
1.67	7980	5480	3900	3030	2520	1830	1480	1350	1260	1128
1.70	7707	5396	3871	3011	2505	1823	1475	1346	1257	1125
1.75	7180	5117	3643	2902	2458	1807	1462	1334	1245	1117

### CONSTANT POWER RATINGS, WATTS PER CELL @ 77°F (25°C) IN MINUTES

Final V.P.C.	1	5	10	15	20	30	40	45	50	60
1.60	1388	945	662	511	424	307	248	226	211	188
1.67	1330	913	650	505	420	305	246	225	210	184
1.70	1284	899	645	502	417	303	245	224	209	187
1.75	1197	852	607	483	409	301	243	222	207	186

### CONSTANT CURRENT RATINGS, AMPERES @ 77°F (25°C) IN HOURS

Final V.P.C.	1	2	3	4	5	6	8	10	12	24
1.75	93.9	52.8	37.5	29.0	23.5	20.0	16.0	13.4	11.3	5.78
1.80	92.7	48.8	35.4	27.6	22.78	19.3	15.1	12.4	10.5	5.62
1.85	89.7	47.2	34.2	26.6	21.9	18.8	14.6	11.9	10.09	5.41
1.90	84.3	44.2	32.03	25.17	20.07	17.68	13.5	11.02	9.26	4.99

**U.S.A.**  
Power Battery Company, Inc.  
25 McLean Blvd.  
Paterson, N.J. 07514-1507  
Phone: (973) 523-8630  
Fax: (973) 523-3023  
E-mail: sales@powbat.com  
Website: www.powerbattery.com

**CANADA**  
Power Battery (Iberville) Ltd.  
770 Thomas Ave.  
Saint-Jean-sur-Richelieu, Québec, J2X 5E7  
Phone: (450) 346-3273  
Fax: (450) 346-8003  
E-mail: sales@powbat.com  
Website: www.powerbattery.com

**UK**  
Power Batteries Ltd.  
Premier Way/Abbey Park Industrial Estate  
Romsey, Hampshire, SO51 9AQ  
Phone: +44 (0)1794 835900  
Fax: +44 (0)1794 835910  
E-mail: sales@powbat.co.uk  
Website: www.powbat.co.uk