



**SEALED VALVE REGULATED
LEAD ACID BATTERY (V.R.L.A.)**

**ABSORBED GLASS MAT
TECHNOLOGY (A.G.M.)**

**BACKS UP TRAFFIC LIGHT INTERSECTIONS
FOR NEMA TRAFFIC SIGNAL SYSTEMS**

MEETS CALTRANS SPECIFICATIONS

Features and Benefits

- Valve Regulated Lead Acid Battery (V.R.L.A.).
- A recognized component of U.L..
- Absorbed glass mat technology (A.G.M.)
- Gas recombination greater than 99%.
- Operates at a low internal pressure.
- Never needs watering, minimal maintenance.
- 99.7% pure lead calcium grids.
- Shock absorbent thick wall construction.
- Cold forged non-porous terminal bushings, eliminate post leakage.
- Thermally welded case to cover bond, eliminates both acid and electrical leaks.
- Over-sized, through the partition inter-cell welds provide low resistance connections, with minimal power loss.
- Each cell has a flame arresting low pressure safety release venting system, recognized per U.L. 924.
- Measured high vacuum acid fill, reduces electrical variability between cells.
- 100% recyclable materials.



Specifications

Cells / volts	6 cells / 12 volts
Terminal type	1/4" Threaded copper insert
Maximum discharge current	500 amps
Short circuit current	3209 amps
Impedance @ 25°C 77°F	4.30 milliohms
Electrolyte (S.G.)	1.300
Capacity @ 25°C	75 AH (20 hrs)
77°F to 1.75 V.P.C.	68 AH (8 hrs)
Operating temperature range	-25°C / -13°F to 74°C / 165°F
Charging voltage / current:	2.27 to 2.30 volts per cell, constant voltage at a maximum current of C/4 amps.
Temperature compensation: Apply for temperature range of 0°C/32°F to 40°C/104°F.	Subtract 3mV/°C/cell or 1.7 mV/°F/cell, above 25°C/77°F. Add 3 mV/°C/cell or 1.7 mV/°F/cell, below 25°C/77°F.
Storage time from a fully charged condition:	6 months at 25°C/77°F. For each 9°C/15°F rise, reduce the storage time by half.
AC ripple from charging source	1.5% peak to peak of float
Overall dimensions (inches, mm)	9.04" H x 10.2" L x 6.57" W 230mm H x 259mm L x 162mm W
Weight: lbs / kgs	60.6 / 27.5

Options

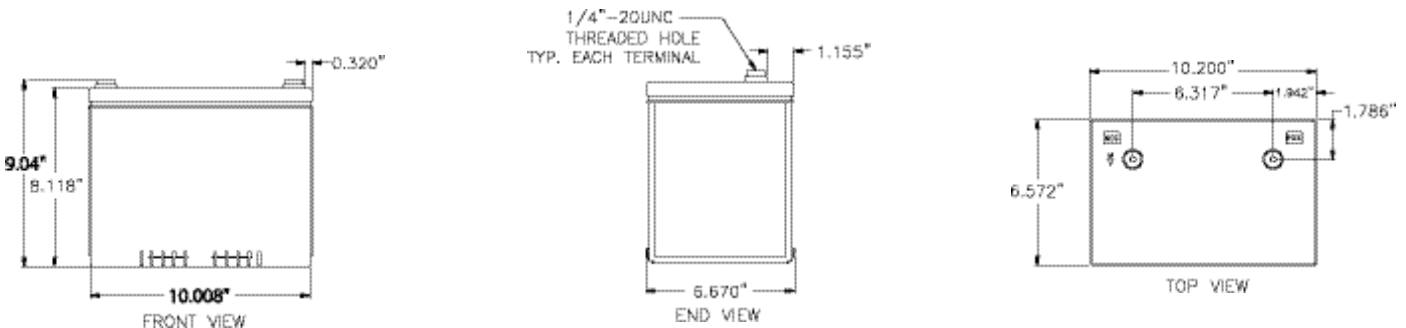
- Battery terminal covers
- inter-connecting battery cables
- Custom wire harnesses.

No transport restrictions

- Surface transport. Classified as non-hazardous material as relates to DOT-CFR Title 49 parts 171-189.
- Maritime transport. Classified as non-hazardous material as per IMDG amendment 27.
- Air transport. Complies with IATA / ICAO, special provision A67.



HOURS DISCHARGE RATES					
Time Hours	Amps Watts	End Cell Voltage			
		1.90	1.85	1.80	1.75
1	A	41.5	45.1	46.9	47.6
	W	507	540	559	565
1.5	A	30.7	33.2	34.4	34.7
	W	369	394	408	413
2	A	24.9	26.6	27.5	27.7
	W	293	316	329	341
3	A	18.1	19.2	19.9	20.1
	W	212	230	240	247
4	A	14.2	15.0	15.5	15.8
	W	169	183	191	196
5	A	11.7	12.4	12.8	13.0
	W	142	152	159	164
6	A	9.9	10.6	10.9	11.1
	W	122	131	136	142
7	A	8.7	9.2	9.6	9.7
	W	108	114	119	124
8	A	7.7	8.2	8.5	8.6
	W	97	101	106	110
9	A	6.9	7.4	7.6	7.7
	W	87	91	95	99
10	A	6.2	6.7	7.0	7.0
	W	79	83	86	90



1735-1-0509

U.S.A.
Power Battery Company, Inc.
25 McLean Blvd.
Paterson, N.J. 07514-1507
Phone: (973) 523-8630
Fax: (973) 523-3023
E-mail: sales@powbat.com
Website: www.powerbattery.com

CANADA
Power Battery (Iberville) Ltd.
770 Thomas Ave.
Saint-Jean-sur-Richelieu, Québec, J2X 5E7
Phone: (450) 346-3273
Fax: (450) 346-8003
E-mail: sales@powbat.com
Website: www.powerbattery.com

UK
Power Batteries Ltd.
Premier Way, Abbey Park Industrial Estate
Romsey, Hampshire, SO51 9AQ
Phone: +44 (0)1794 835900
Fax: +44 (0)1794 835910
E-mail: sales@powbat.co.uk
Website: www.powbat.co.uk

ITALY
Power Battery Srl
Via 1° Maggio 21
20010 Vanzago - ITALY
Phone: +(39) 02 93540454
Fax: +(39) 02 93436202
E-mail: callbert@powbat.it
Website: www.powbat.it