

XTV 12850

12 85

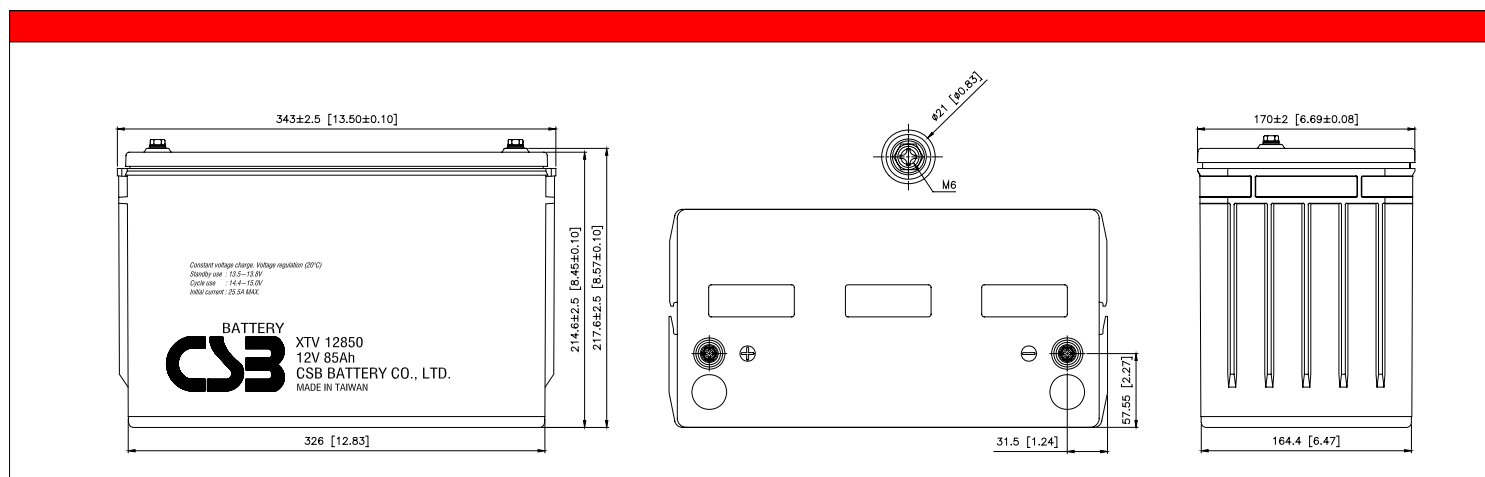
XTV 12850 -



: 12 (-20° +50°).
400 -
100%

-	6
	12
	85 A 20- U - 1.75 / 25°
	31.2
	800A (5)
	6.5
	: -20° +50° ; : -20° +50° ; : -20° +50°
	25°
	13.5 - 13.8 25°
	25.5 A (), I _{max}
	14.4 - 15.0 25°
	6 25° , *
	6

*



U _k /T	: A (25°)									
	15	30	1	2	3	4	5	8	10	20
1.60 /	166	103	59.6	33.9	24.7	19.3	15.8	10.5	8.63	4.68
1.67 /	162	101	59.3	33.7	24.6	19.2	15.7	10.4	8.50	4.53
1.70 /	160	100	58.8	33.4	24.4	19.1	15.6	10.3	8.41	4.44
1.75 /	152	97.8	58.2	33.2	24.2	19.0	15.5	10.2	8.30	4.30
1.80 /	140	93.5	56.9	32.6	23.6	18.5	15.2	10.0	8.27	4.26
1.85 /	126	87.6	54.0	31.1	22.5	17.6	14.5	9.67	8.05	4.12

U _k /T	: / (25°)									
	15	30	1	2	3	4	5	8	10	20
1.60 /	1841	1161	682	390	285	224	184	122	99.5	51.9
1.67 /	1803	1147	678	388	284	223	183	121	98.6	51.4
1.70 /	1778	1133	673	385	282	222	182	120	97.8	51.0
1.75 /	1696	1108	666	382	281	220	180	119	96.9	50.6
1.80 /	1558	1057	650	376	274	214	177	116	96.1	50.1
1.85 /	1391	990	616	359	260	204	168	112	92.7	48.1