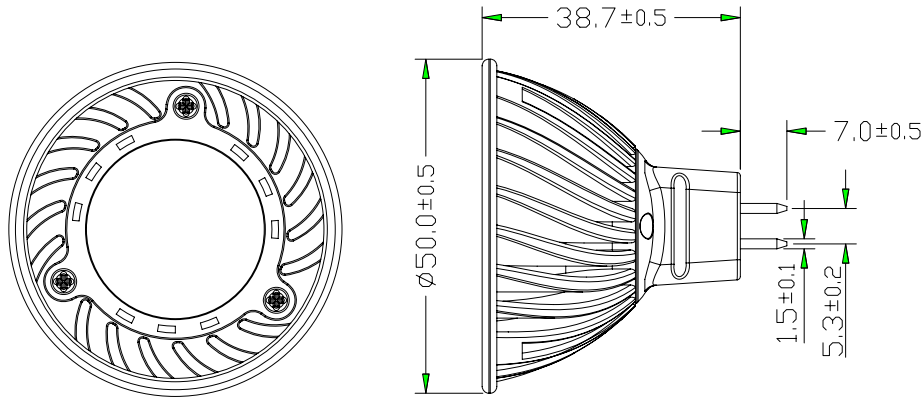


MR16 3W White 6000K
(1 LED, type B)

MR16 3W WarmWhite 2700K
(1 LED, type B)



Part Number	LED Features		
	LED lot No.	LED Tc (k)	LED color
MR16 3W White 6000K (1 LED, type B) MR16 3W WarmWhite 2700K (1 LED, type B)	GREE	2700-3500K or 5000-7000K	Warm white / White

No	Item	Units	Parameter range
1	working environment	°C	-20~40
2	storage condition	°C	-40~85
3	work frequency	Hz	50/60
4	limited voltage	V	AC 10.5-18
5	Input current	mA	550-280
6	output power	W	3.8±0.2
7	Beam angle (1)	deg	40
	Beam angle (2)	deg	60
8	luminous flux	LM	120LM for warm white
		LM	150LM for whtie

use manual:

1. Please read the specification first to make sure the using condition is fit
2. Please shut off the switch before connect the product, then turn on
3. Indoor use only.