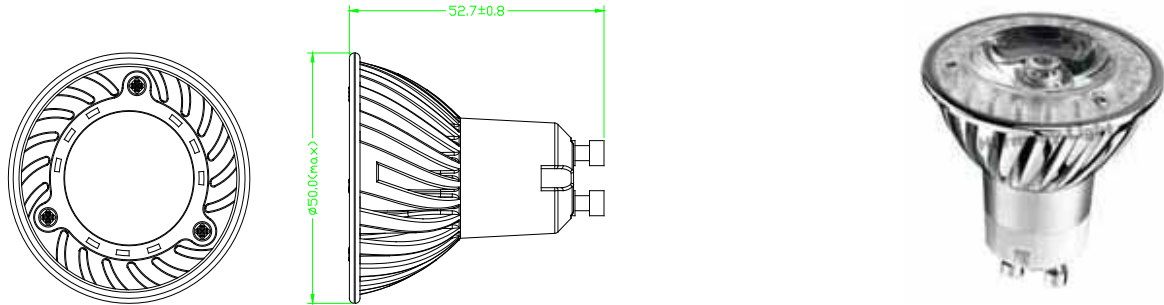


## GU10 3W WarmWhite 2700K (1 LED, type B)



Part Number	LED Features		
	GU10 3W WarmWhite 2700K	LED lot No. XR-E	LED Tc 2700-3500K

No	Item	Units	Parameter range
1	working environment	°C	-20~40
2	storage condition	°C	-40~85
3	work frequency	Hz	50/60
4	limited voltage	V	AC 95-264
5	Input current	mA	31±10%
6	output power	W	4.0±10%
7	Viewing angle	Deg	38
8	luminous flux	LM	80±10%
9	illuminance(1M)	LUX	290±5

### use manual:

1. Please read the specification first to make sure the using condition is fit
2. Please shut off the switch before connect the product, then turn on
3. Indoor use only.