

Vega Series AR111 LED Lamp



The LED Lamp Advantage:

More energy-efficient than halogen:

LED lamps, very efficacious in converting power into light, may achieve over 70% of power saving as compared with traditional halogen lamps.

Long lifespan:

The averaged lifespan of LED lamps is at least 10 times that of halogen lamps, eliminating the need for frequent replacements.

Healthy Lighting:

Except particular applications such as tanning booths, mosquito killers and so on, LED lamps for general lighting emit neither ultraviolet (UV) nor infrared (IR) that may harm health.

Environment friendly:

LED lamps do not contain mercury, sodium, and other hazardous chemical elements, possibly necessary for certain traditional light sources and unfriendly to the ecological environment.

No perceptible flickering:

Traditional lamps driven by an AC current with a relatively low frequency may produce perceptible flickering that may lead to eye discomfort or injury while LED lamps driven by a DC current with a relatively high frequency will not.

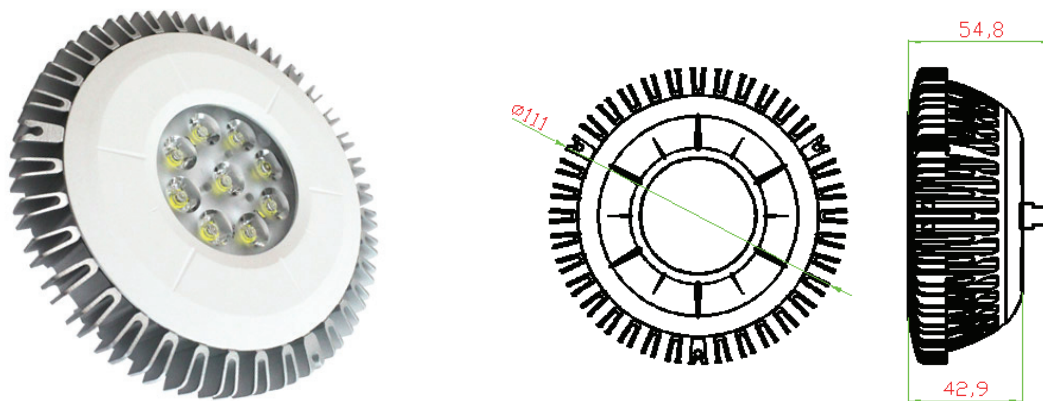
High luminous efficacy:

The increasingly high luminous efficacy (lm/W) of LED lamps provides more light output (lm) with less power input (W), turning LED lamps into the mainstream in the lighting industry.

Low power consumption:

Under the condition of the same output light, LED lamps consume less input power than traditional lamps, reimbursing you by reducing power bill.

◆ Extreme brightness with perfect light distribution



◆ Features

- For indoor use only
- Direct replacement for traditional AR111 halogen lamps
- Compatible with traditional electronic transformers
- Power conversion efficiency > 80%
- Built with highly efficacious LEDs
- No UV or IR radiation
- Cool light prevents heat generation
- Energy-saving and environment-friendly
- G53 base for extra retention in lampholder
- RoHS compliance
- Low heat generation
- Robust and durable
- Fast electrical response
- 2 years warranty

◆ **Specifications**

■ **AR111 AC/DC Input**

Type	AR111-WW	AR111-CW
Energy Used	12 Watts	
Rated Life	35,000 Hours	
Input Voltage	12V AC/DC	
CCT	3000K	6000K
Luminous Flux (lm)	730lm	860lm
Luminous Efficacy	61lm/W	72lm/W
Base	G53	
CRI	>75	
Dimension	111x 54.8mm	
Beam Angle	Spot - 20°	

■ **AR111 AC-Triac Dimmable**



Type	AR111D-WW	AR111D-CW
Energy Used	12 Watts	
Rated Life	35,000 Hours	
Input Voltage	100~127V AC OR 200~240V AC	
CCT	3000K	6000K
Luminous Flux (lm)	730lm	860lm
Luminous Efficacy	61lm/W	72lm/W
Base	G53	
CRI	>75	
Dimension	111x 54.8mm	
Beam Angle	Spot - 20°	

■ **AR111 AC-Non Dimmable**

Type	AR111N-WW	AR111N-CW
Energy Used	12 Watts	
Rated Life	35,000 Hours	
Input Voltage	100~240V AC	
CCT	3000K	6000K
Luminous Flux (lm)	730lm	860lm

Luminous Efficacy	61lm/W	72lm/W
Base	G53	
CRI	>75	
Dimension	111x 54.8mm	
Beam Angle	Spot - 20°	

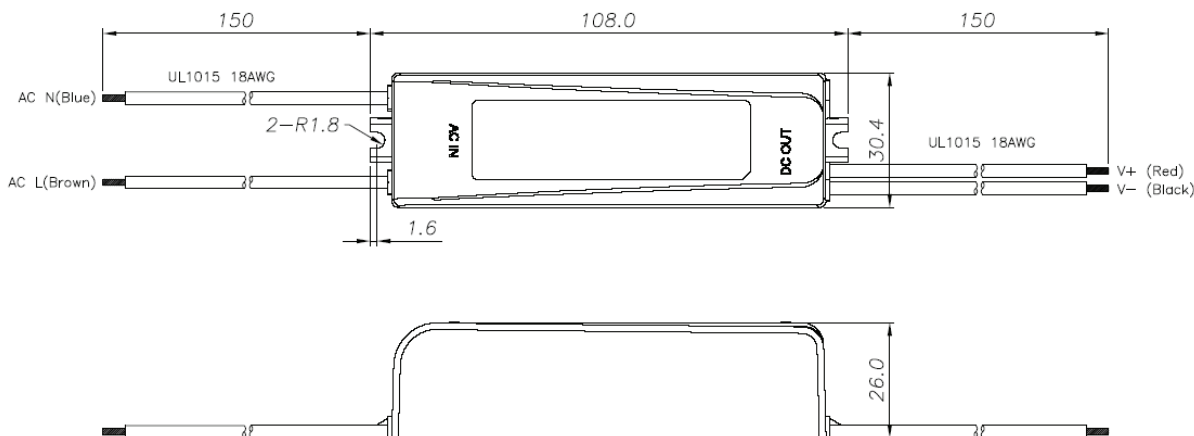
◆ **GL-AR111 LED Vega series vs. AR111 Halogen Lamp Comparison Table**

Item	Picture	Manufacturer	P(Watt)	Input Voltage	Luminous Flux (lm)	Efficacy (lm/W)	CCT	CRI	Beam Angle	Illuminance(lux)	
										1m	2m
1		GlacialLight LED AR111	12.5W	12V AC/DC	697.5	55.80	3087	81	18.5	4862.0	1223.0
2		OxxxM	50.1W	12V	409.8	8.179	2829	99.9	24	4015.0	794.1

◆ **LED Driver Dimensions:**

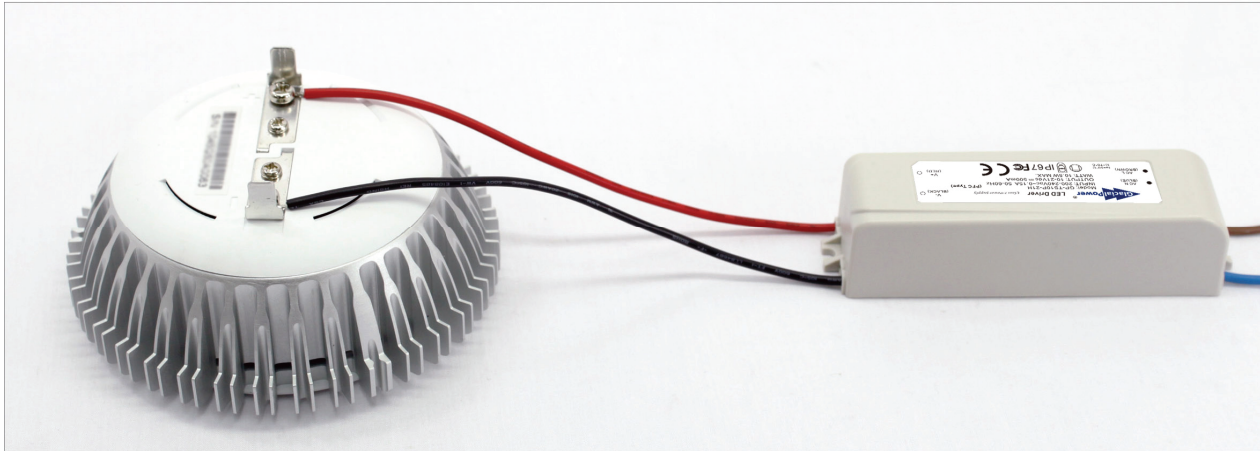
Dimmable: **GP-TS10P-30L GP-TS10P-30H**

Non-Dimmable: **GP-LS10P-36**

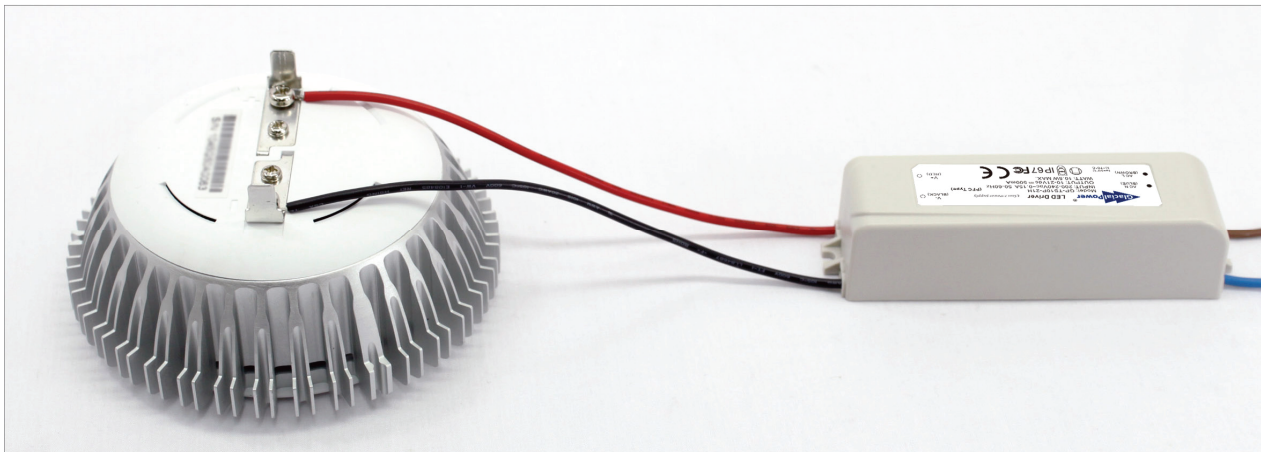


◆ **Installation**

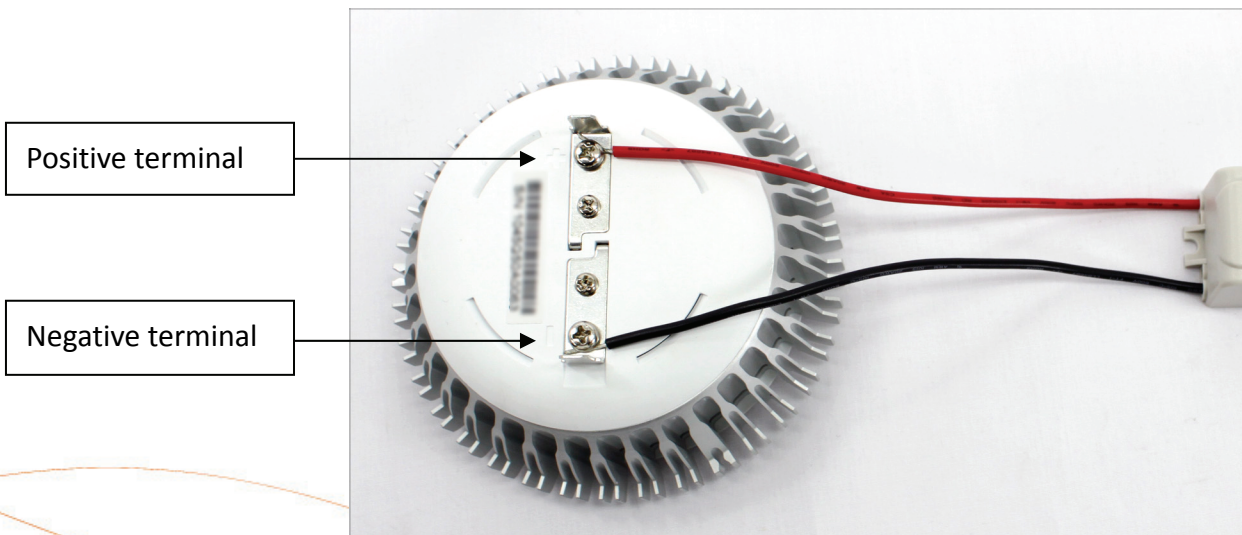
1. **GL-AR111N-WW and GL-AR111N-CW collaborate with GP-LS10P-36.**



2. **GL-AR111D-WW and GL-AR111D-CW collaborate with GP-TS10P-30L or GP-TS10P-30H.**

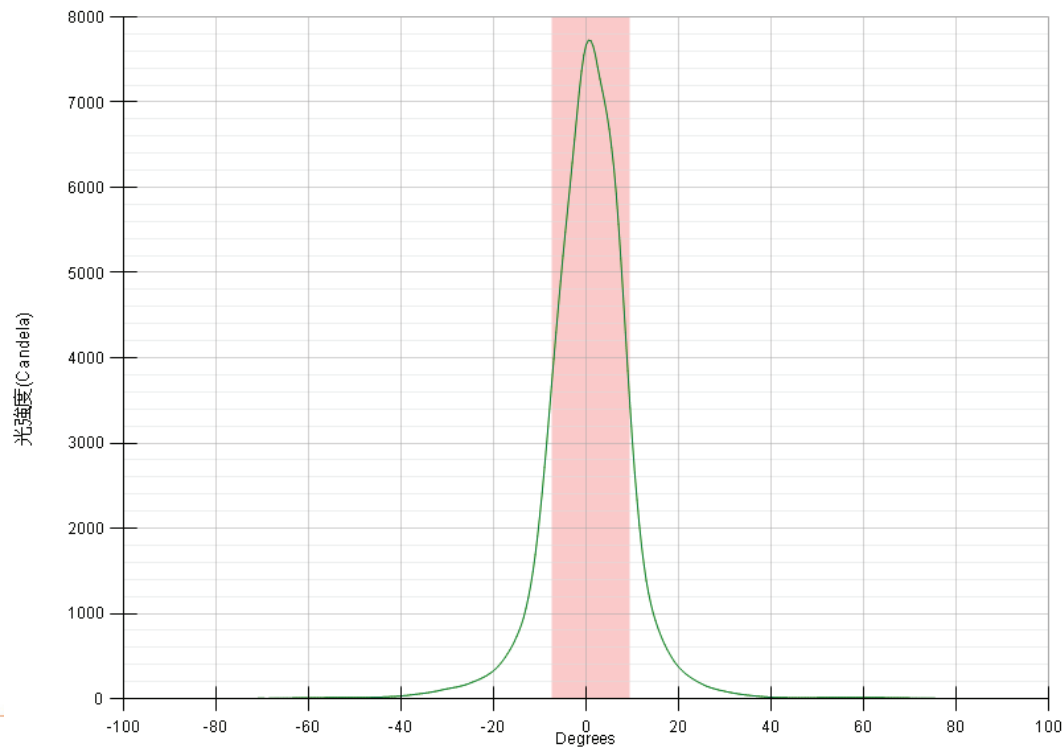
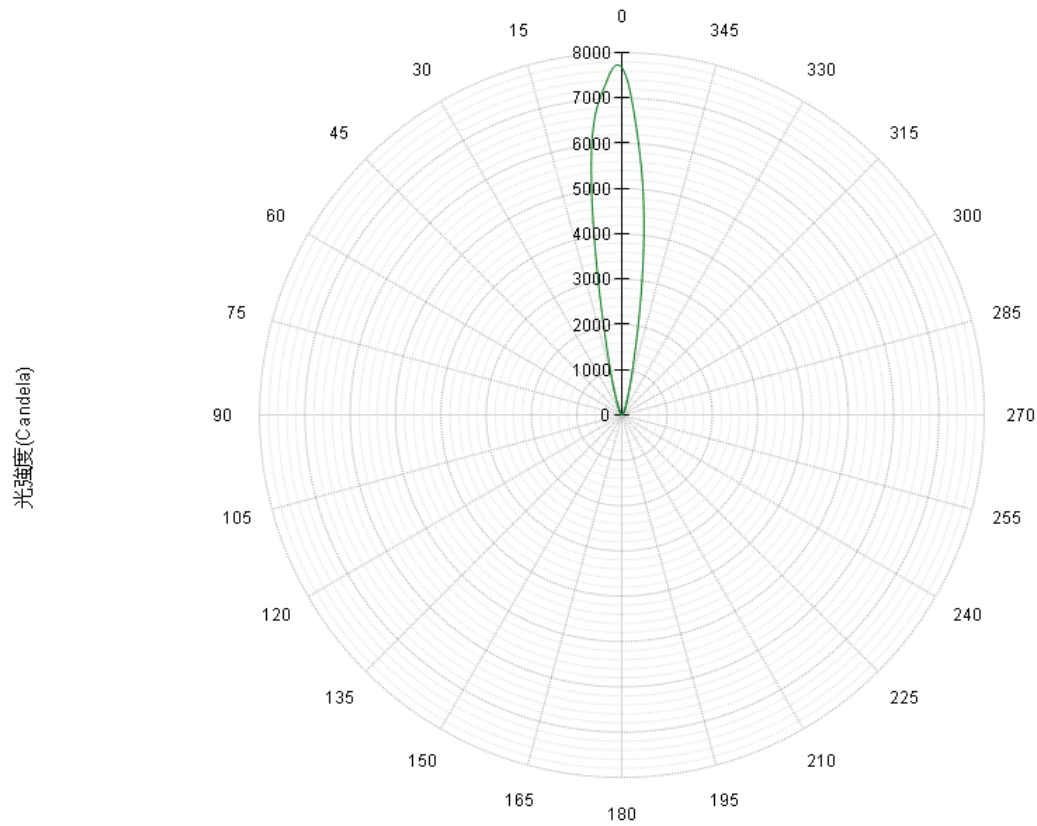


3. **Please respectively connect the red (V+) and black (V-) wire to the positive (+) and negative (-) terminal.**

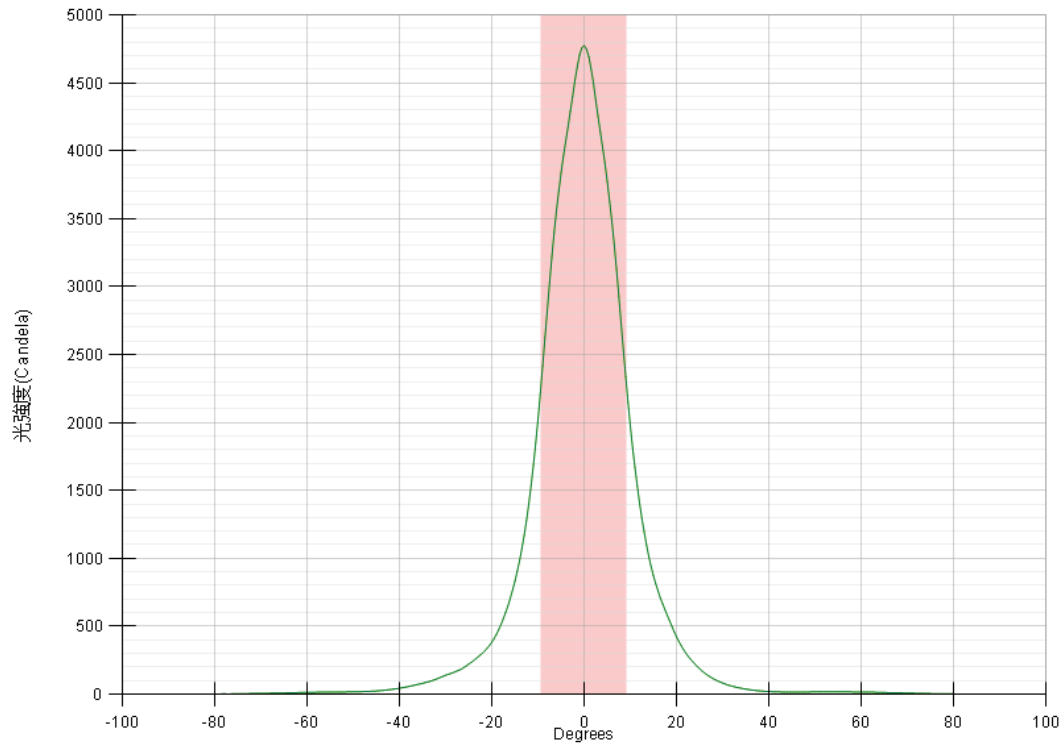
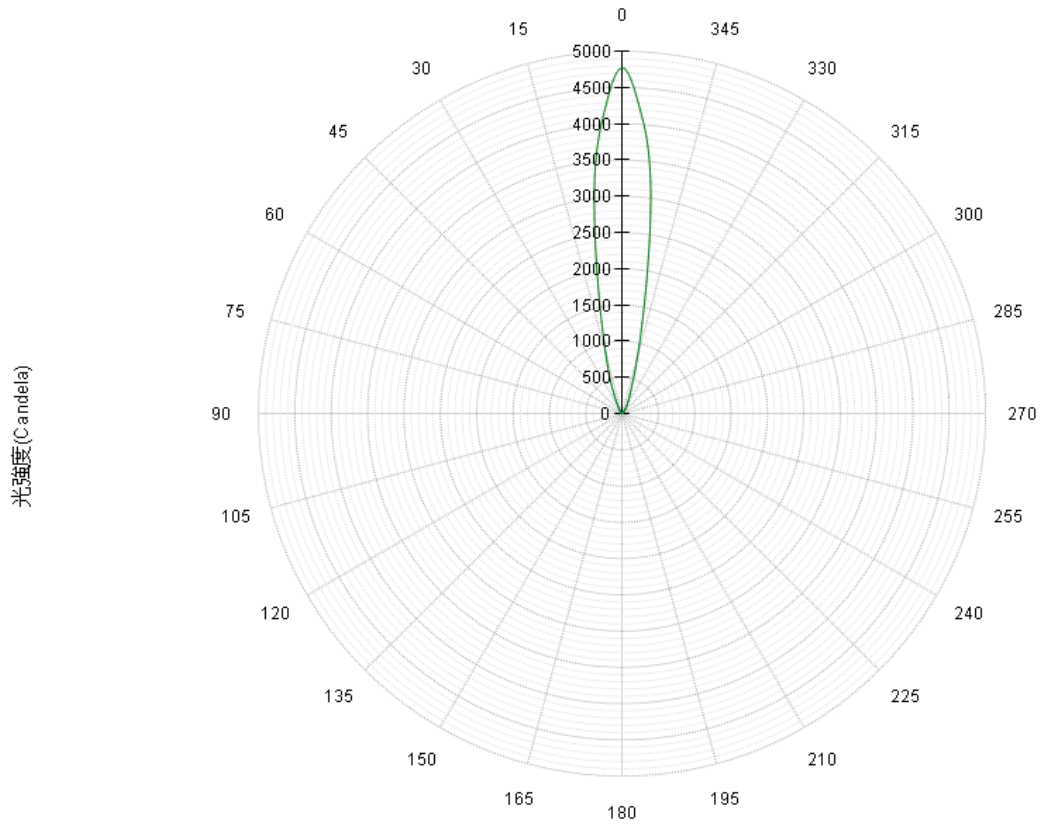


◆ **Candle Power Distribution Curve**

GL-AR111N-CW GL-AR111D-CW



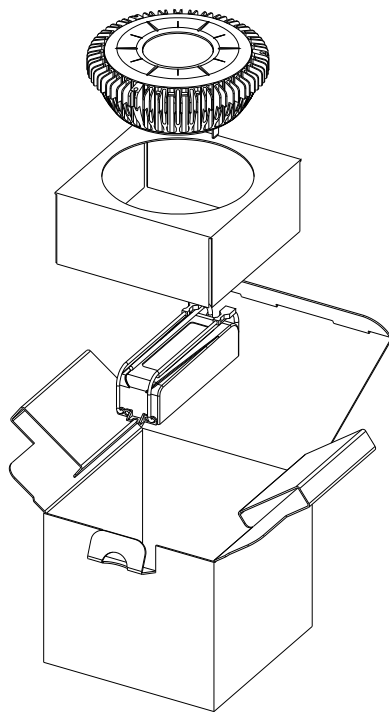
GL-AR111N-WW GL-AR111D-WW



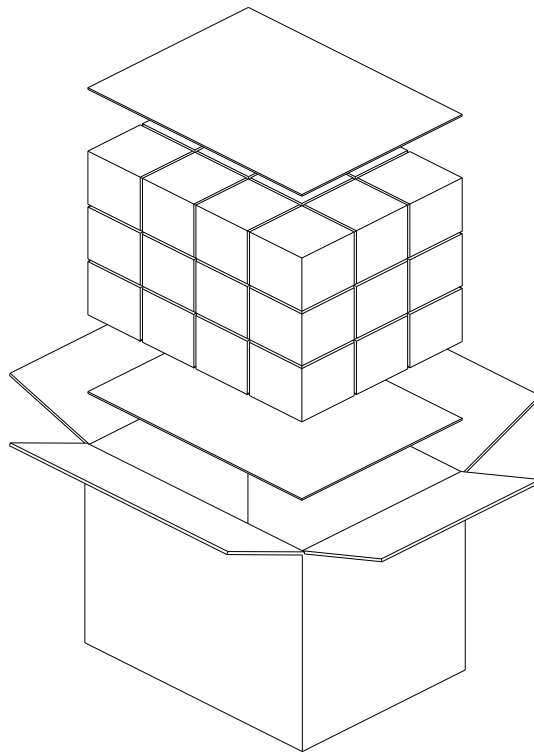
◆ **Illuminance(lux)**

Model No	1M	2M
GL-AR111N-CW GL-AR111D-CW	8,255	2,090
GL-AR111N-WW GL-AR111D-WW	5,090	1,280

◆ **Package**



Dimension:120*120*100mm



Dimension:36pcs/Carton; 488*366*360mm

◆ **Applications**

Architectural Lighting / Cabinet Lighting / Commercial Lighting / Spot Lighting / Accent Lighting / Hallway Lighting

