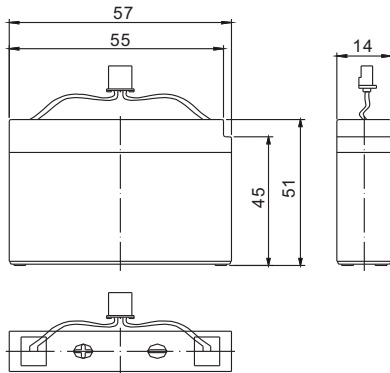


# Standard Series FP605 6V0.4Ah

**FirstPower®**

## Dimension



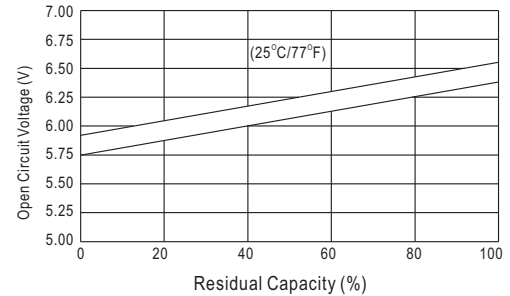
## Specification

Nominal Voltage		6 V
Capacity(20HR, 25°C)		0.4 Ah
Dimension	Length	57mm (2.24inch)
	Width	14mm (0.55inch)
	Height	51mm (2.01inch)
	Total Height	51mm (2.01inch)
Approx. Weight		0.10kg (0.22lbs)

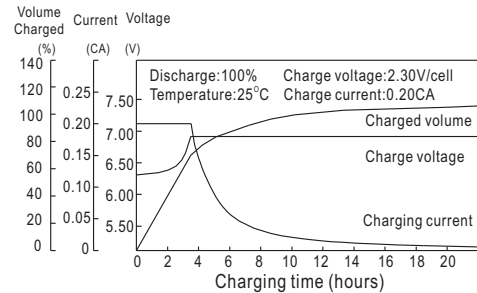
## Characteristics

Capacity 20°C (68°F) To 1.70V/Cell	20 hour rate	0.4Ah
	10 hour rate	0.37Ah
	5 hour rate	0.35Ah
	1 hour rate	0.24Ah
	15 min rate	0.17Ah
Internal resistance(Fully charged, 25°C)		Approx. 180m Ω
Capacity affected by temperature (20HR)	40°C	102%
	25°C	100%
	0°C	85%
	-15°C	65%
Self-discharge (25°C)	3 month	Remaining Capacity: 91%
	6 month	Remaining Capacity: 82%
	12 month	Remaining Capacity: 65%
Nominal operating temperature		25°C ±3°C(77°F ±5°F)
Operating temperature range		-15°C~50°C(5°F~122°F)
Float charging voltage(25°C)		6.80 to 6.90V
Cyclic charging voltage(25°C)		7.25 to 7.45V
Maximum charging current		0.15A
Terminal material		Wire
Maximum discharge current		7.5A(5 secretary.)

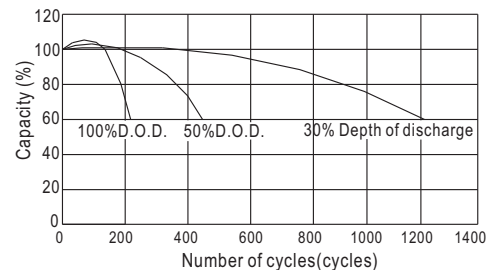
## The Relationship for Open Circuit Voltage and Residual Capacity (25°C)



## Charging Characteristics(25°C)



## Cycle Life(25°C)



## Constant Current Discharge Characteristics (A, 25°C)

F.V/TIME	5min	10min	15min	30min	60min	3h	5h	10h	20h
4.80V	1.40	0.85	0.70	0.40	0.25	0.10	0.07	0.037	0.020
5.10V	1.33	0.81	0.67	0.38	0.24	0.09	0.07	0.037	0.020
5.40V	1.25	0.76	0.64	0.36	0.23	0.09	0.06	0.036	0.020

## Constant Power Discharge Characteristics (Watt, 25°C)

	5min	10min	15min	30min	60min	3h	5h	10h	20h
	7.81	4.79	3.99	2.29	1.44	7.81	4.79	3.99	2.29
	7.42	4.57	3.82	2.18	1.38	7.42	4.57	3.82	2.18
	6.98	4.29	3.65	2.06	1.32	6.98	4.29	3.65	2.06