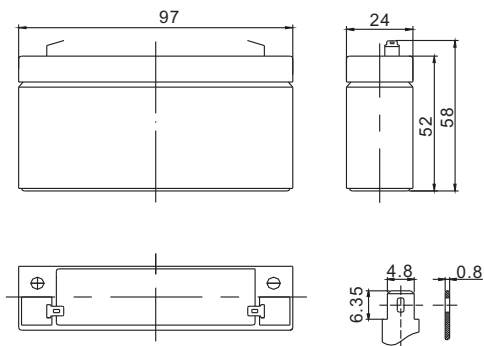


# Standard Series FP612 6V1.2Ah

**FirstPower®**

## Dimension(mm)



**T1**  
Terminal



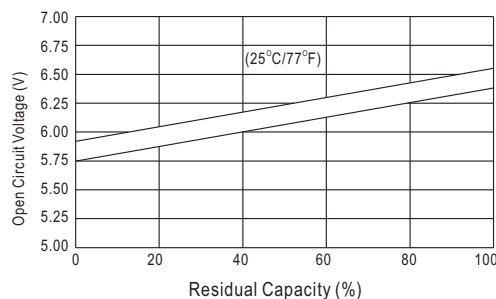
## Specification

Nominal Voltage		6 V
Capacity(20HR, 25°C)		1.2Ah
Dimension	Length	97mm (3.82inch)
	Width	24mm (0.94inch)
	Height	52mm (2.05inch)
	Total Height	58mm (2.28inch)
Approx. Weight		0.30kg (0.66lbs)

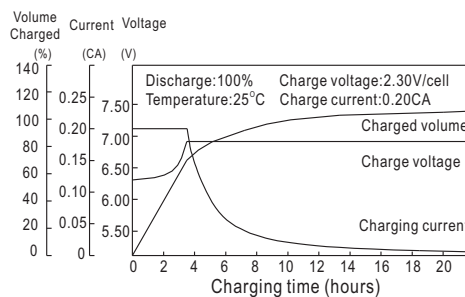
## Characteristics

Capacity 20°C (68□) To 1.70V/Cell	20 hour rate	1.2Ah
	10 hour rate	11.6Ah
	5 hour rate	11Ah
	1 hour rate	0.79Ah
	15 min rate	0.6Ah
Internal resistance(Fully charged, 25°C)		Approx. 50mΩ
Capacity affected by temperature (20HR)	40°C	102%
	25°C	100%
	0°C	85%
	-15°C	65%
Self-discharge (25°C)	3 month	Remaining Capacity: 91%
	6 month	Remaining Capacity: 82%
	12 month	Remaining Capacity: 65%
Nominal operating temperature		25°C ±3°C(77°F ±5°F)
Operating temperature range		-15°C~50°C(5°F~122°F)
Float charging voltage(25°C)		6.80 to 6.90V
Cyclic charging voltage(25°C)		7.25 to 7.45V
Maximum charging current		0.36A
Terminal material		Copper
Maximum discharge current		18A(5 Sec.)

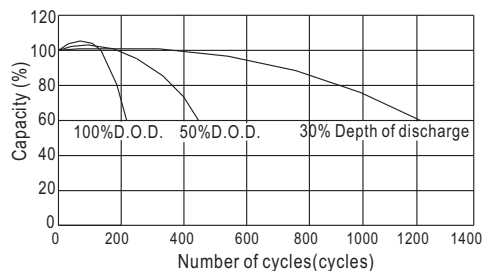
## The Relationship for Open Circuit Voltage and Residual Capacity (25°C)



## Charging Characteristics(25°C)



## Cycle Life(25°C)



## Constant Current Discharge Characteristics (A, 25°C)

F.V/TIME	5min	10min	15min	30min	60min	3h	5h	10h	20h
4.80V	5.00	3.20	2.50	1.45	0.82	0.33	0.22	0.12	0.06
5.10V	4.75	3.04	2.40	1.39	0.79	0.33	0.22	0.12	0.06
5.40V	4.47	2.86	2.28	1.32	0.75	0.32	0.21	0.12	0.06

## Constant Power Discharge Characteristics (Watt, 25°C)

5min	10min	15min	30min	60min	3h	5h	10h	20h
27.9	18.1	14.3	8.30	4.75	1.96	1.33	0.72	0.38
26.5	17.2	13.7	7.95	4.57	1.96	1.31	0.72	0.38
24.9	16.1	13.0	7.55	4.34	1.90	1.29	0.72	0.37