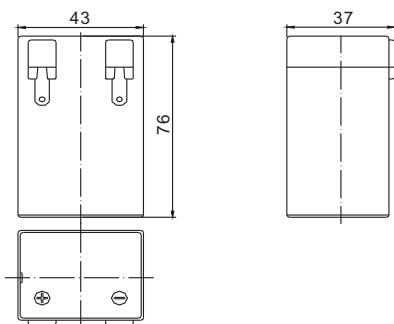


Standard Series FP623 6V2.0Ah

FirstPower®

Dimension(mm)



Tab
Terminal



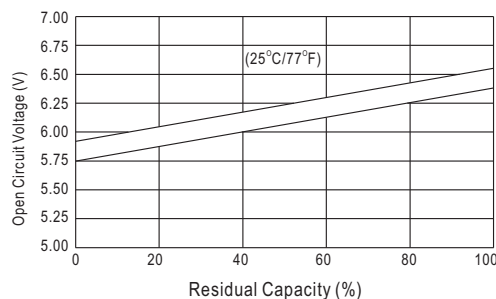
Specification

Nominal Voltage		6 V
Capacity(20HR, 25°C)		2.0Ah
Dimension	Length	43mm (1.69inch)
	Width	37mm (1.46inch)
	Height	76mm (2.99inch)
	Total Height	76mm (2.99inch)
Approx. Weight		0.34kg (0.75lbs)

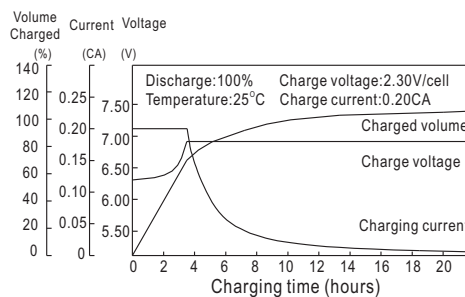
Characteristics

Capacity 20°C (68□) To 1.70V/Cell	20 hour rate	2.0Ah
	10 hour rate	1.8Ah
	5 hour rate	1.65Ah
	1 hour rate	1.19Ah
	15 min rate	0.87Ah
Internal resistance(Fully charged, 25°C)		Approx. 40mΩ
Capacity affected by temperature (20HR)	40°C	102%
	25°C	100%
	0°C	85%
	-15°C	65%
Self-discharge (25°C)	3 month	Remaining Capacity: 91%
	6 month	Remaining Capacity: 82%
	12 month	Remaining Capacity: 65%
Nominal operating temperature		25°C ±3°C(77°F ±5°F)
Operating temperature range		-15°C~50°C(5°F~122°F)
Float charging voltage(25°C)		6.80 to 6.90V
Cyclic charging voltage(25°C)		7.25 to 7.45V
Maximum charging current		0.69A
Terminal material		Copper
Maximum discharge current		12A(5 Sec.)

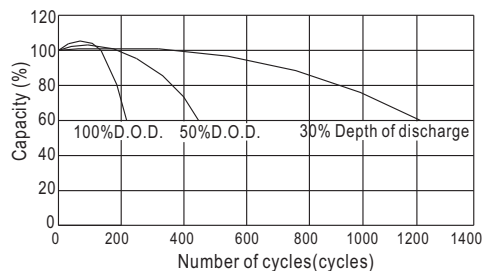
The Relationship for Open Circuit Voltage and Residual Capacity (25°C)



Charging Characteristics(25°C)



Cycle Life(25°C)



Constant Current Discharge Characteristics (A, 25°C)

F.V/TIME	5min	10min	15min	30min	60min	3h	5h	10h	20h
4.80V	7.40	4.60	3.60	2.16	1.24	0.48	0.33	0.18	0.10
5.10V	7.03	4.37	3.46	2.07	1.19	0.47	0.33	0.18	0.10
5.40V	6.61	4.11	3.28	1.97	1.13	0.46	0.32	0.18	0.10

Constant Power Discharge Characteristics (Watt, 25°C)

5min	10min	15min	30min	60min	3h	5h	10h	20h
41.3	25.9	20.5	12.4	7.18	2.83	2.00	1.11	0.61
39.2	24.6	19.7	11.9	6.89	2.79	1.97	1.10	0.60
36.9	23.2	18.7	11.3	6.55	2.74	1.93	1.10	0.60