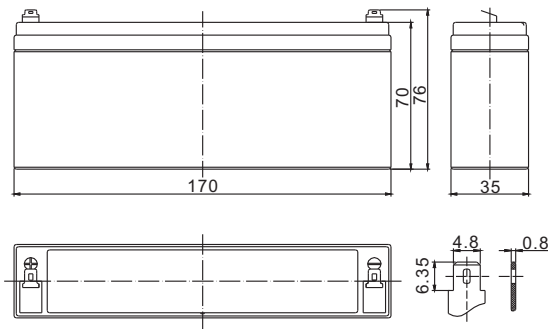


Standard Series FP650A 6V5.0Ah

FirstPower®

Dimension(mm)



T1
Terminal



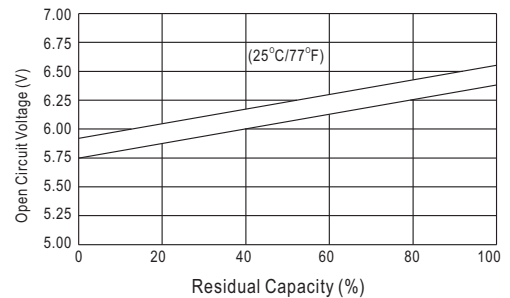
Specification

Nominal Voltage		6 V
Capacity(20HR, 25°C)		5Ah
Dimension	Length	170mm (6.69inch)
	Width	35mm (1.38inch)
	Height	70mm (2.76inch)
	Total Height	76mm (2.99inch)
Approx. Weight		0.95kg (2.09lbs)

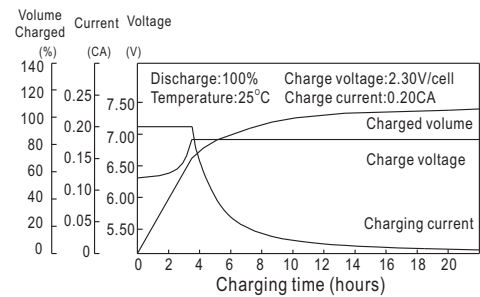
Characteristics

Capacity 20°C (68□) To 1.70V/Cell	20 hour rate	5.0Ah
	10 hour rate	4.4Ah
	5 hour rate	4.3Ah
	1 hour rate	3.07Ah
	15 min rate	2.28Ah
Internal resistance(Fully charged, 25°C)		Approx. 21m Ω
Capacity affected by temperature (20HR)	40°C	102%
	25°C	100%
	0°C	85%
	-15°C	65%
Self-discharge (25°C)	3 month	Remaining Capacity: 91%
	6 month	Remaining Capacity: 82%
	12 month	Remaining Capacity: 65%
Nominal operating temperature		25°C ±3°C(77°F ±5°F)
Operating temperature range		-15°C~50°C(5°F~122°F)
Float charging voltage(25°C)		6.80 to 6.90V
Cyclic charging voltage(25°C)		7.25 to 7.45V
Maximum charging current		1.5A
Terminal material		Copper
Maximum discharge current		75A(5 Sec.)

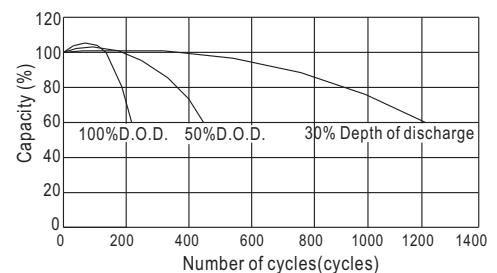
The Relationship for Open Circuit Voltage and Residual Capacity (25°C)



Charging Characteristics(25°C)



Cycle Life(25°C)



Constant Current Discharge Characteristics (A, 25°C)

F.V/TIME	5min	10min	15min	30min	60min	3h	5h	10h	20h
4.80V	18.0	11.6	9.30	5.40	3.10	1.27	0.86	0.46	0.25
5.10V	17.1	11.0	8.93	5.18	2.98	1.25	0.85	0.45	0.25
5.40V	16.0	10.4	8.48	4.92	2.83	1.23	0.83	0.45	0.25

Constant Power Discharge Characteristics (Watt, 25°C)

5min	10min	15min	30min	60min	3h	5h	10h	20h
100	65.4	53.0	30.9	17.9	7.54	5.15	2.74	1.52
95.4	62.2	50.9	29.7	17.2	7.43	5.07	2.72	1.51
89.7	58.4	48.3	28.2	16.4	7.28	4.97	2.72	1.50