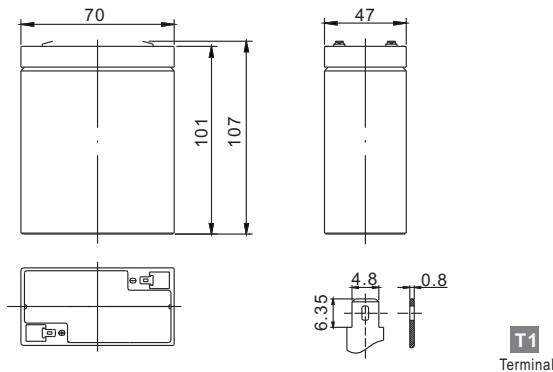


# Standard Series FP660 6V6.0Ah

**FirstPower®**

## Dimension(mm)



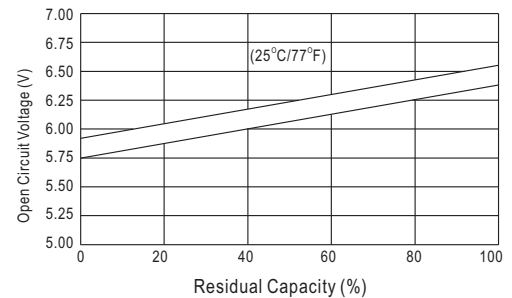
## Specification

Nominal Voltage		6 V
Capacity(20HR, 25°C)		6Ah
Dimension	Length	70mm (2.76inch)
	Width	47mm (1.85inch)
	Height	101mm (3.98inch)
	Total Height	107mm (4.21inch)
Approx. Weight		0.93kg (2.04lbs)

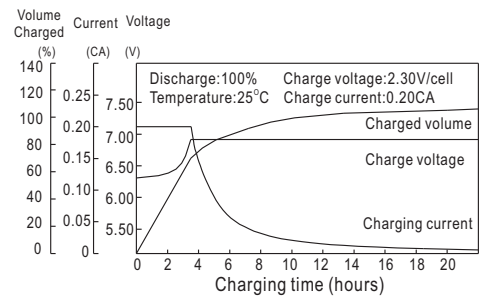
## Characteristics

Capacity 20°C (68□) To 1.70V/Cell	20 hour rate	6.0Ah
	10 hour rate	4.8Ah
	5 hour rate	4.3Ah
	1 hour rate	3.74Ah
	15 min rate	3.0Ah
Internal resistance(Fully charged, 25°C)		Approx. 20mΩ
Capacity affected by temperature (20HR)	40°C	102%
	25°C	100%
	0°C	85%
	-15°C	65%
Self-discharge (25°C)	3 month	Remaining Capacity: 91%
	6 month	Remaining Capacity: 82%
	12 month	Remaining Capacity: 65%
Nominal operating temperature		25°C ±3°C(77°F ±5°F)
Operating temperature range		-15°C~50°C(5°F~122°F)
Float charging voltage(25°C)		6.80 to 6.90V
Cyclic charging voltage(25°C)		7.25 to 7.45V
Maximum charging current		1.8A
Terminal material		Copper
Maximum discharge current		90A(5 Sec.)

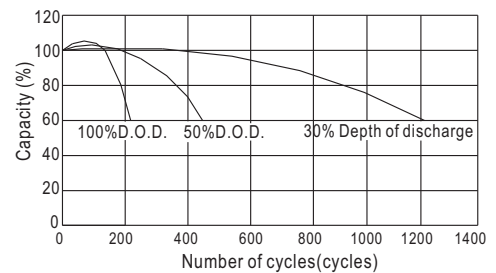
## The Relationship for Open Circuit Voltage and Residual Capacity (25°C)



## Charging Characteristics(25°C)



## Cycle Life(25°C)



## Constant Current Discharge Characteristics (A, 25°C)

F.V/TIME	5min	10min	15min	30min	60min	3h	5h	10h	20h
4.80V	25.5	16.0	12.5	6.80	3.90	1.47	0.97	0.53	0.29
5.10V	24.2	15.2	12.0	6.53	3.74	1.45	0.96	0.52	0.29
5.40V	22.7	14.3	11.4	6.20	3.55	1.42	0.94	0.52	0.28

## Constant Power Discharge Characteristics (Watt, 25°C)

F.V/TIME	5min	10min	15min	30min	60min	3h	5h	10h	20h
4.80V	142	90.2	71.3	39.0	22.6	8.73	5.82	3.18	1.74
5.10V	135	85.7	68.4	37.4	21.7	8.61	5.73	3.12	1.74
5.40V	127	80.7	65.0	35.5	20.6	8.43	5.61	3.12	1.70