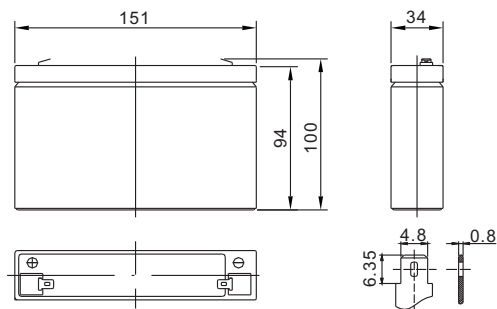


Standard Series FP672 6V7.2Ah

FirstPower®

Dimension(mm)



T1
Terminal



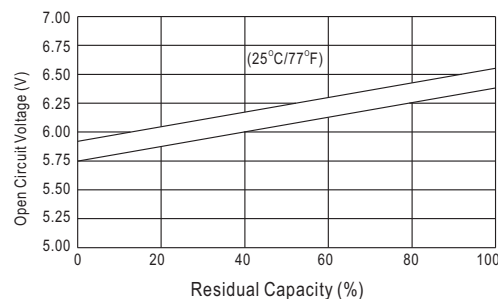
Specification

Nominal Voltage		6 V
Capacity(20HR, 25°C)		7.2 Ah
Dimension	Length	151mm (5.94inch)
	Width	34mm (1.34inch)
	Height	94mm (3.70inch)
	Total Height	100mm (3.94inch)
Approx. Weight		1.17kg (2.57lbs)

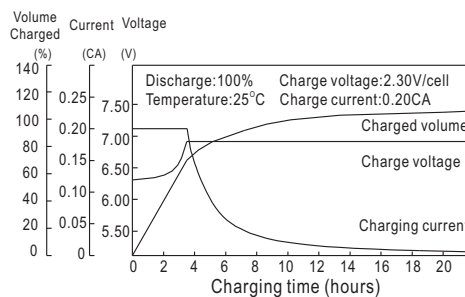
Characteristics

Capacity 20°C (68□) To 1.70V/Cell	20 hour rate	7.2Ah
	10 hour rate	6.6Ah
	5 hour rate	5.95Ah
	1 hour rate	4.29Ah
	15 min rate	3.10Ah
Internal resistance(Fully charged, 25°C)		Approx. 15mΩ
Capacity affected by temperature (20HR)	40°C	102%
	25°C	100%
	0°C	85%
	-15°C	65%
Self-discharge (25°C)	3 month	Remaining Capacity: 91%
	6 month	Remaining Capacity: 82%
	12 month	Remaining Capacity: 65%
Nominal operating temperature		25°C ±3°C(77°F ±5°F)
Operating temperature range		-15°C~50°C(5°F~122°F)
Float charging voltage(25°C)		6.80 to 6.90V
Cyclic charging voltage(25°C)		7.25 to 7.45V
Maximum charging current		2.16A
Terminal material		Copper
Maximum discharge current		108A(5 Sec.)

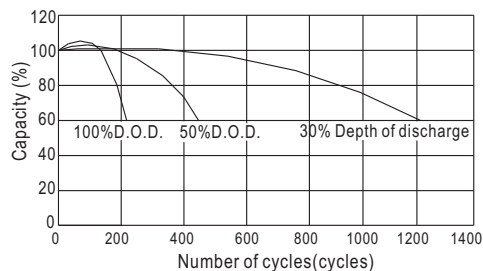
The Relationship for Open Circuit Voltage and Residual Capacity (25°C)



Charging Characteristics(25°C)



Cycle Life(25°C)



Constant Current Discharge Characteristics (A, 25°C)

F.V/TIME	5min	10min	15min	30min	60min	3h	5h	10h	20h
4.80V	26.6	16.6	13.0	7.78	4.46	1.72	1.21	0.67	0.37
5.10V	25.3	15.7	12.4	7.46	4.29	1.69	1.19	0.66	0.36
5.40V	23.8	14.8	11.8	7.09	4.07	1.66	1.16	0.66	0.36

Constant Power Discharge Characteristics (Watt, 25°C)

5min	10min	15min	30min	60min	3h	5h	10h	20h
149	93.4	73.9	44.6	25.8	10.2	7.20	3.99	2.19
141	88.7	70.9	42.8	24.8	10.1	7.09	3.95	2.17
133	83.4	67.4	40.6	23.6	9.85	6.95	3.95	2.16