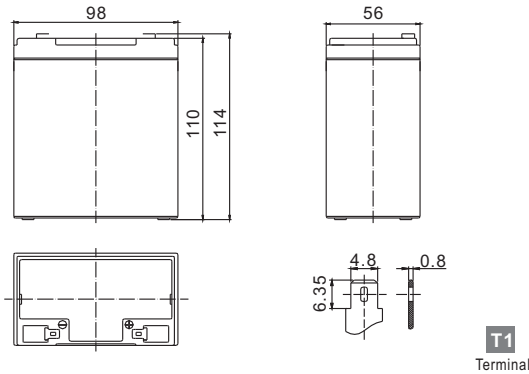


Standard Series FP680A 6V8.0Ah

FirstPower®

Dimension(mm)



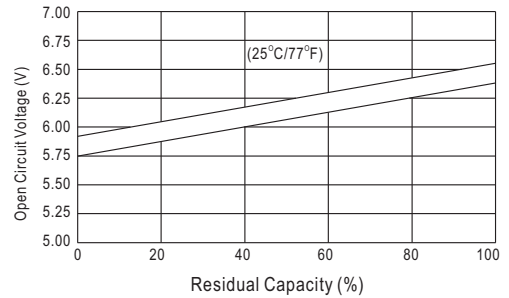
Specification

Nominal Voltage		6 V
Capacity(20HR, 25°C)		8 Ah
Dimension	Length	98mm (3.86inch)
	Width	56mm (2.20inch)
	Height	110mm (4.33inch)
	Total Height	114mm (4.45inch)
Approx. Weight		1.35kg (2.95lbs)

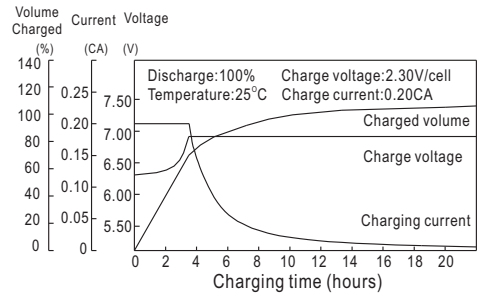
Characteristics

Capacity 20°C (68□) To 1.70V/Cell	20 hour rate	8.0Ah
	10 hour rate	7.6Ah
	5 hour rate	6.70Ah
	1 hour rate	5.28Ah
	15 min rate	3.85Ah
Internal resistance(Fully charged, 25°C)		Approx. 13mΩ
Capacity affected by temperature (20HR)	40°C	102%
	25°C	100%
	0°C	85%
	-15°C	65%
Self-discharge (25°C)	3 month	Remaining Capacity: 91%
	6 month	Remaining Capacity: 82%
	12 month	Remaining Capacity: 65%
Nominal operating temperature		25°C ±3°C(77°F ±5°F)
Operating temperature range		-15°C~50°C(5°F~122°F)
Float charging voltage(25°C)		6.80 to 6.90V
Cyclic charging voltage(25°C)		7.25 to 7.45V
Maximum charging current		2.4A
Terminal material		Copper
Maximum discharge current		120A(5 Sec.)

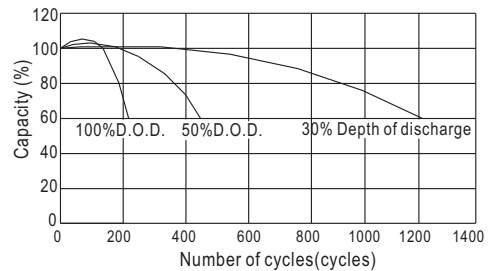
The Relationship for Open Circuit Voltage and Residual Capacity (25°C)



Charging Characteristics(25°C)



Cycle Life(25°C)



Constant Current Discharge Characteristics (A, 25°C)

F.V/TIME	5min	10min	15min	30min	60min	3h	5h	10h	20h
4.80V	33.0	21.5	16.0	9.35	5.50	2.13	1.36	0.77	0.41
5.10V	31.4	20.4	15.4	8.98	5.28	2.10	1.34	0.76	0.40
5.40V	29.5	19.2	14.6	8.53	5.02	2.06	1.31	0.76	0.40

Constant Power Discharge Characteristics (Watt, 25°C)

	5min	10min	15min	30min	60min	3h	5h	10h	20h
184	121	91.2	53.6	31.8	12.7	8.12	4.63	2.44	
175	115	87.6	51.4	30.6	12.5	8.00	4.59	2.41	
164	108	83.2	48.9	29.0	12.2	7.84	4.59	2.40	