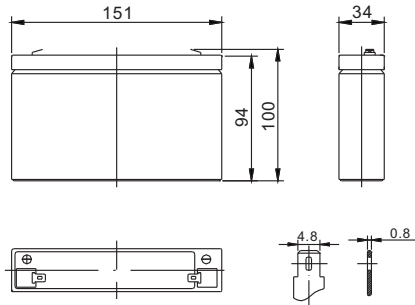


Standard Series FP690 6V9.0Ah

FirstPower®

Dimension



T1
Terminal



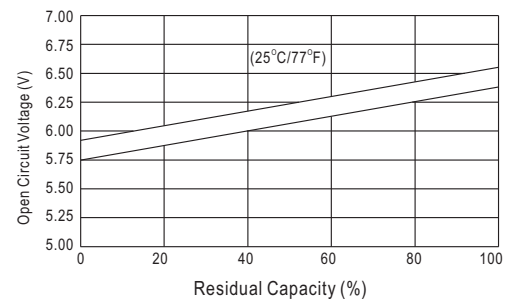
Specification

Nominal Voltage		6 V
Capacity(20HR, 25°C)		9 Ah
Dimension	Length	151mm (5.94inch)
	Width	34mm (1.34inch)
	Height	94mm (3.70inch)
	Total Height	100mm (3.94inch)
Approx. Weight		1.40kg (3.09lbs)

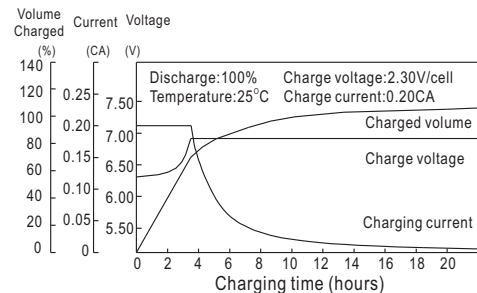
Characteristics

Capacity 20°C (68°F) To 1.70V/Cell	20 hour rate	9.0Ah
	10 hour rate	8.3Ah
	5 hour rate	7.65Ah
	1 hour rate	5.62Ah
	15 min rate	4.1Ah
Internal resistance(Fully charged, 25°C)		Approx. 12.5mΩ
Capacity affected by temperature (20HR)	40°C	102%
	25°C	100%
	0°C	85%
	-15°C	65%
Self-discharge (25°C)	3 month	Remaining Capacity: 91%
	6 month	Remaining Capacity: 82%
	12 month	Remaining Capacity: 65%
Nominal operating temperature		25°C ±3°C(77°F ±5°F)
Operating temperature range		-15°C~50°C(5°F~122°F)
Float charging voltage(25°C)		6.80 to 6.90V
Cyclic charging voltage(25°C)		7.25 to 7.45V
Maximum charging current		2.7A
Terminal material		Copper
Maximum discharge current		135A(5 sec.)

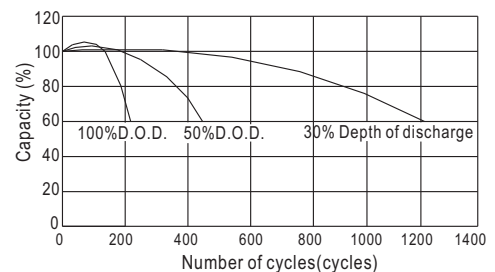
The Relationship for Open Circuit Voltage and Residual Capacity (25°C)



Charging Characteristics(25°C)



Cycle Life(25°C)



Constant Current Discharge Characteristics (A, 25°C)

F.V/TIME	5min	10min	15min	30min	60min	3h	5h	10h	20h
4.80V	34.2	21.6	17.1	9.90	5.85	2.28	1.55	0.84	0.46
5.10V	32.5	20.5	16.4	9.50	5.62	2.25	1.53	0.83	0.45
5.40V	30.5	19.3	15.6	9.03	5.34	2.21	1.50	0.83	0.45

Constant Power Discharge Characteristics (Watt, 25°C)

	5min	10min	15min	30min	60min	3h	5h	10h	20h
	191	122	97.5	56.7	33.9	13.6	9.27	5.04	2.74
	181	116	93.6	54.5	32.5	13.4	9.13	5.00	2.72
	170	109	88.9	51.7	30.9	13.1	8.95	5.00	2.70