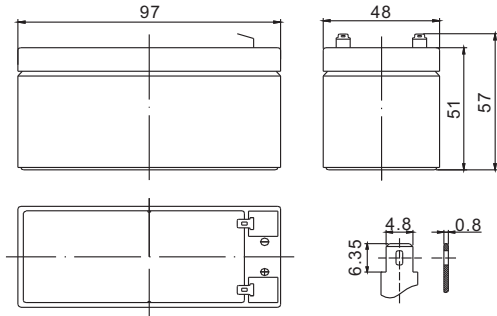


Standard Series FP1212A 12V1.2Ah

FirstPower®

Dimension(mm)



T1
Terminal



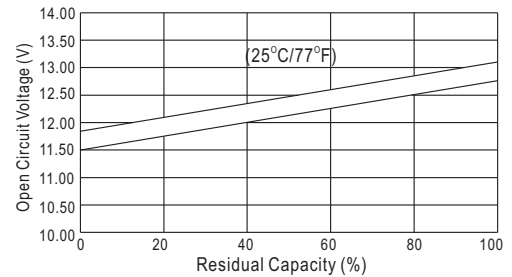
Specification

| | | |
|----------------------|--------------|------------------|
| Nominal Voltage | | 12 V |
| Capacity(20HR, 25°C) | | 1.2 Ah |
| Dimension | Length | 97mm (3.82inch) |
| | Width | 48mm (1.89inch) |
| | Height | 51mm (2.01inch) |
| | Total Height | 57mm (2.24inch) |
| Approx. Weight | | 0.61kg (1.34lbs) |

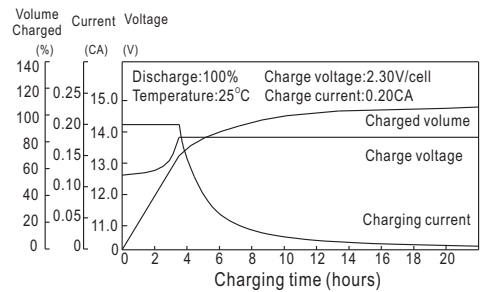
Characteristics

| | | |
|--|--------------|-------------------------|
| Capacity 20°C (68□) To 1.70V/Cell | 20 hour rate | 1.2Ah |
| | 10 hour rate | 1.2Ah |
| | 5 hour rate | 1.1Ah |
| | 1 hour rate | 0.80Ah |
| | 15 min rate | 0.6Ah |
| Internal resistance(Fully charged, 25°C) | | Approx. 105m Ω |
| Capacity affected by temperature (20HR) | 40°C | 102% |
| | 25°C | 100% |
| | 0°C | 85% |
| | -15°C | 65% |
| Self-discharge (25°C) | 3 month | Remaining Capacity: 91% |
| | 6 month | Remaining Capacity: 82% |
| | 12 month | Remaining Capacity: 65% |
| Nominal operating temperature | | 25°C ±3°C(77°F ±5°F) |
| Operating temperature range | | -15°C~50°C(5°F~122°F) |
| Float charging voltage(25°C) | | 13.60 to 13.80V |
| Cyclic charging voltage(25°C) | | 14.50 to 14.90V |
| Maximum charging current | | 0.36A |
| Terminal material | | Copper |
| Maximum discharge current | | 18A(5 Sec.) |

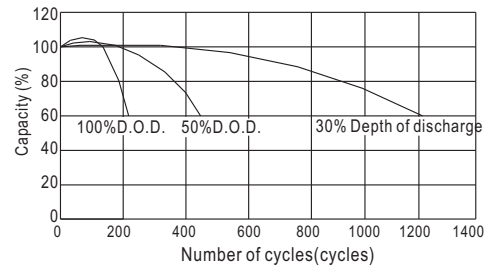
The Relationship for Open Circuit Voltage and Residual Capacity (25°C)



Charging Characteristics(25°C)



Cycle Life(25°C)



Constant Current Discharge Characteristics (A, 25°C)

| F.V/TIME | 5min | 10min | 15min | 30min | 60min | 3h | 5h | 10h | 20h |
|----------|------|-------|-------|-------|-------|------|------|------|------|
| 9.60V | 5.10 | 3.26 | 2.55 | 1.32 | 0.84 | 0.34 | 0.23 | 0.12 | 0.06 |
| 10.2V | 4.85 | 3.10 | 2.45 | 1.27 | 0.80 | 0.34 | 0.22 | 0.12 | 0.06 |
| 10.8V | 4.55 | 2.91 | 2.33 | 1.20 | 0.76 | 0.33 | 0.22 | 0.12 | 0.06 |

Constant Power Discharge Characteristics (Watt, 25°C)

| 5min | 10min | 15min | 30min | 60min | 3h | 5h | 10h | 20h |
|------|-------|-------|-------|-------|------|------|------|------|
| 56.9 | 36.8 | 29.1 | 16.9 | 9.69 | 4.06 | 2.72 | 1.49 | 0.75 |
| 54.1 | 35.0 | 27.9 | 16.3 | 9.30 | 4.00 | 2.68 | 1.48 | 0.74 |
| 50.8 | 32.9 | 26.5 | 15.5 | 8.83 | 3.92 | 2.63 | 1.48 | 0.73 |