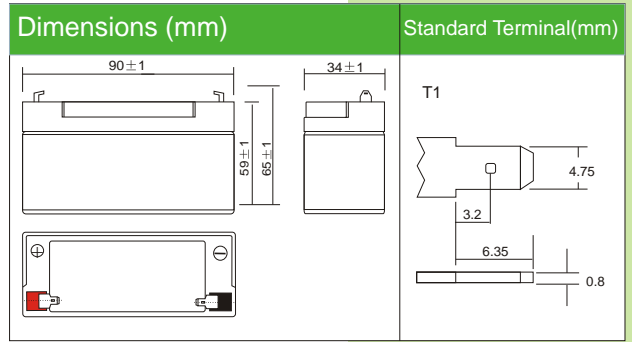
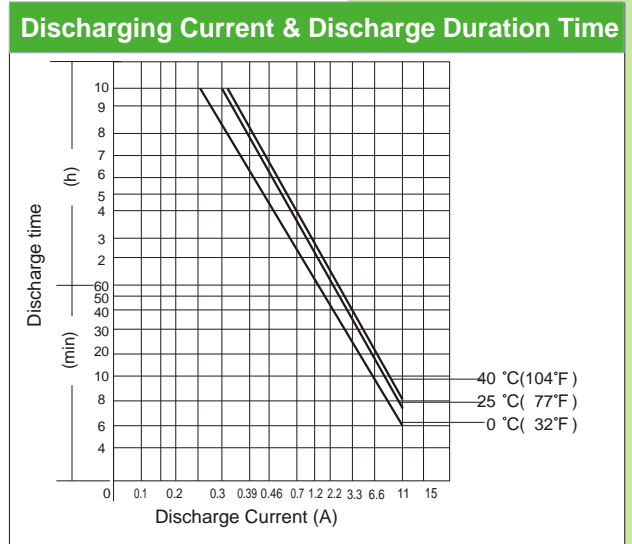




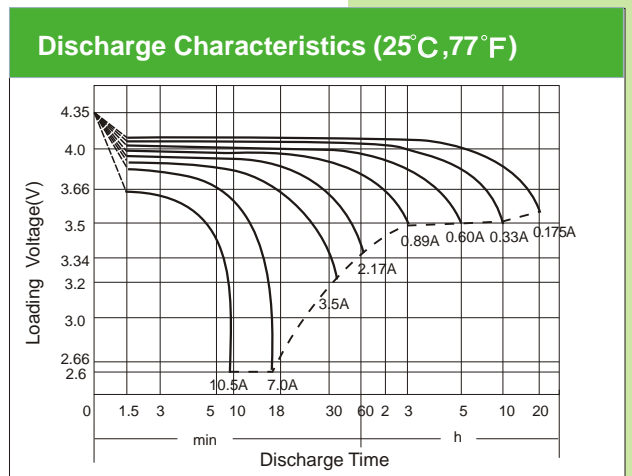
# DJW4-3.5(4V3.5AH)



Physical Specification		
Nominal Voltage		4V
Nominal Capacity (20HR)		3.5AH
Dimension	Length	90 ± 1mm (3.54 inches)
	Width	34 ± 1mm (1.34 inches)
	Container Height	59 ± 1mm (2.32 inches)
	Total Height (with Terminal)	65 ± 1mm (2.56 inches)
Weight		Approx 0.42kg (0.93lbs)
Standard Terminal		T1(standard)



Electrical Specification					
Rated Capacity	20 hour rate (175mA)	3.5AH	Constant-Voltage Charge	Cycle	Initial Charging Current less than 1.05A, Voltage 4.8V~5.0V at 25°C (77°F) Temp. Coefficient -10mV/°C
	10 hour rate (330mA)	3.3AH			
	5 hour rate (600mA)	3.0AH			
	1 hour rate (2.17 A)	2.17AH			
	15minute rate (6.86 A)	1.71AH			
Capacity affected by Temperature	40C (104F)	103%	Standby	No limit on Initial Charging Current Voltage 4.5V~4.6V at 25°C (77°F) Temp. Coefficient -6mV/°C	
	25C (77F)	100%			
	0C (32F)	86%			



Constant Current (Amp) and Constant Power (Watt) Discharge Table (25°C, 77°F)												
Time(minute) Final voltage/Cell	5	10	15	20	30	45	60	120	180	300	600	1200
Amp/Watt/Cell	1.3	1.3	1.3	1.3	1.6	1.6	1.67	1.7	1.75	1.75	1.75	1.8
A	14.00	9.98	6.86	5.60	4.03	2.80	2.17	1.23	0.89	0.60	0.33	0.175
W	25.06	18.76	13.06	10.96	7.91	5.57	4.31	2.44	1.77	1.19	0.65	0.352