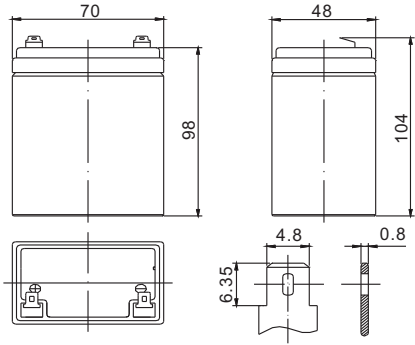


Standard Series FP1220A 12V2.0Ah

FirstPower®

Dimension



T1
Terminal



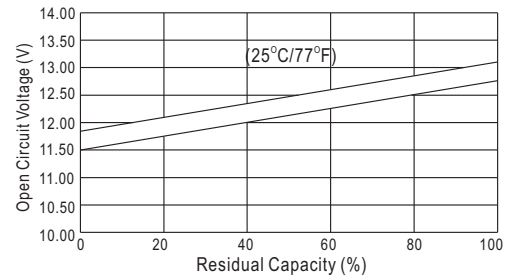
Specification

| | | |
|----------------------|------------------|------------------|
| Nominal Voltage | 12 V | |
| Capacity(20HR, 25°C) | 2.0 Ah | |
| Dimension | Length | 70mm (2.76inch) |
| | Width | 48mm (1.89inch) |
| | Height | 98mm (3.86inch) |
| | Total Height | 104mm (4.09inch) |
| Approx. Weight | 0.80kg (1.76lbs) | |

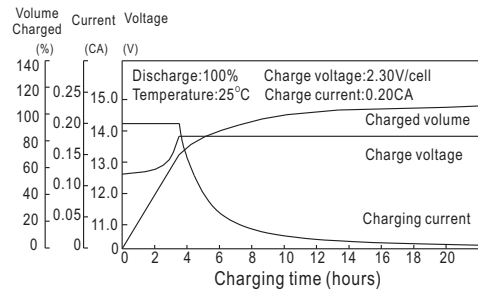
Characteristics

| | | |
|--|-----------------------|-------------------------|
| Capacity 20°C (68°F) To 1.70V/Cell | 20 hour rate | 2.0Ah |
| | 10 hour rate | 1.9Ah |
| | 5 hour rate | 1.7Ah |
| | 1 hour rate | 1.25Ah |
| | 15 min rate | 0.91Ah |
| Internal resistance(Fully charged, 25°C) | Approx. 60m Ω | |
| Capacity affected by temperature (20HR) | 40°C | 102% |
| | 25°C | 100% |
| | 0°C | 85% |
| | -15°C | 65% |
| Self-discharge (25°C) | 3 month | Remaining Capacity: 91% |
| | 6 month | Remaining Capacity: 82% |
| | 12 month | Remaining Capacity: 65% |
| Nominal operating temperature | 25°C ±3°C(77°F ±5°F) | |
| Operating temperature range | -15°C~50°C(5°F~122°F) | |
| Float charging voltage(25°C) | 13.60 to 13.80V | |
| Cyclic charging voltage(25°C) | 14.50 to 14.90V | |
| Maximum charging current | 0.6A | |
| Terminal material | Copper | |
| Maximum discharge current | 34.5A(5 Sec.) | |

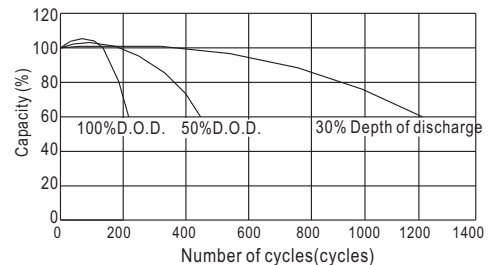
The Relationship for Open Circuit Voltage and Residual Capacity (25°C)



Charging Characteristics(25°C)



Cycle Life(25°C)



Constant Current Discharge Characteristics (A, 25°C)

| F.V/TIME | 5min | 10min | 15min | 30min | 60min | 3h | 5h | 10h | 20h |
|----------|------|-------|-------|-------|-------|------|------|------|------|
| 9.60V | 7.60 | 4.80 | 3.80 | 2.20 | 1.30 | 0.51 | 0.35 | 0.19 | 0.10 |
| 10.2V | 7.22 | 4.56 | 3.65 | 2.11 | 1.25 | 0.50 | 0.34 | 0.19 | 0.10 |
| 10.8V | 6.79 | 4.29 | 3.47 | 2.01 | 1.19 | 0.49 | 0.33 | 0.18 | 0.10 |

Constant Power Discharge Characteristics (Watt, 25°C)

| | 5min | 10min | 15min | 30min | 60min | 3h | 5h | 10h | 20h |
|--|------|-------|-------|-------|-------|------|------|------|------|
| | 84.8 | 54.1 | 43.3 | 25.2 | 15.1 | 6.03 | 4.12 | 2.24 | 1.22 |
| | 80.6 | 51.4 | 41.6 | 24.2 | 14.5 | 5.94 | 4.06 | 2.22 | 1.21 |
| | 75.7 | 48.4 | 39.5 | 23.0 | 13.7 | 5.82 | 3.98 | 2.22 | 1.20 |