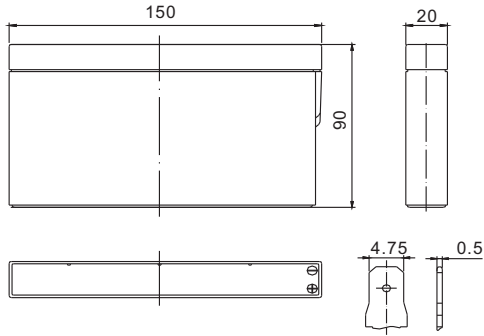


# Standard Series FP1220M 12V1.6Ah

**FirstPower®**

## Dimension(mm)



**Tab**  
Terminal



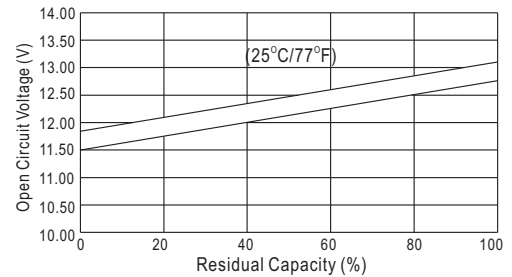
## Specification

Nominal Voltage		12 V
Capacity(20HR, 25°C)		1.6Ah
Dimension	Length	150mm (5.91inch)
	Width	20mm (0.79inch)
	Height	90mm (3.54inch)
	Total Height	90mm (3.54inch)
Approx. Weight		0.68kg (1.50lbs)

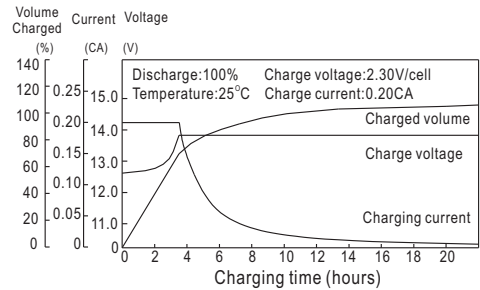
## Characteristics

Capacity 20°C (68□) To 1.70V/Cell	20 hour rate	1.6Ah
	10 hour rate	1.5Ah
	5 hour rate	1.35Ah
	1 hour rate	1.00Ah
	15 min rate	0.73Ah
Internal resistance(Fully charged, 25°C)		Approx. 125mΩ
Capacity affected by temperature (20HR)	40°C	102%
	25°C	100%
	0°C	85%
	-15°C	65%
Self-discharge (25°C)	3 month	Remaining Capacity: 91%
	6 month	Remaining Capacity: 82%
	12 month	Remaining Capacity: 65%
Nominal operating temperature		25°C ±3°C(77°F ±5°F)
Operating temperature range		-15°C~50°C(5°F~122°F)
Float charging voltage(25°C)		13.60 to 13.80V
Cyclic charging voltage(25°C)		14.50 to 14.90V
Maximum charging current		0.6A
Terminal material		Copper
Maximum discharge current		30A(5 Sec.)

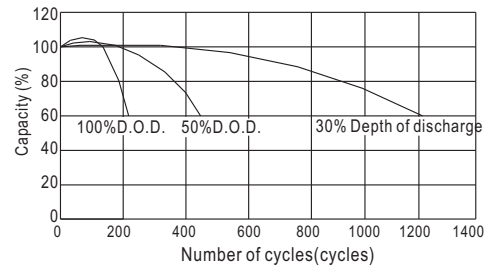
## The Relationship for Open Circuit Voltage and Residual Capacity (25°C)



## Charging Characteristics(25°C)



## Cycle Life(25°C)



## Constant Current Discharge Characteristics (A, 25°C)

F.V/TIME	5min	10min	15min	30min	60min	3h	5h	10h	20h
9.60V	6.08	3.84	3.04	1.76	1.04	0.41	0.28	0.15	0.08
10.2V	5.78	3.65	2.92	1.69	1.00	0.40	0.27	0.15	0.08
10.8V	5.43	3.43	2.77	1.61	0.95	0.39	0.27	0.15	0.08

## Constant Power Discharge Characteristics (Watt, 25°C)

5min	10min	15min	30min	60min	3h	5h	10h	20h
67.9	43.3	34.7	20.2	12.0	4.82	3.30	1.79	0.97
64.5	41.1	33.3	19.4	11.6	4.75	3.25	1.78	0.97
60.6	38.7	31.6	18.4	11.0	4.66	3.18	1.78	0.96