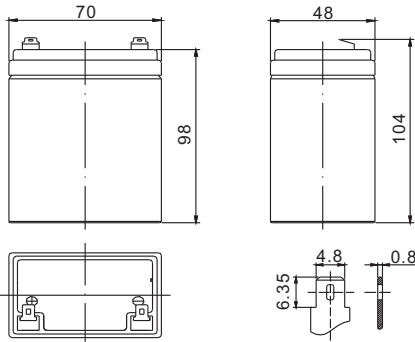


Standard Series FP1223A 12V2.3Ah

FirstPower®

Dimension(mm)



T1
Terminal



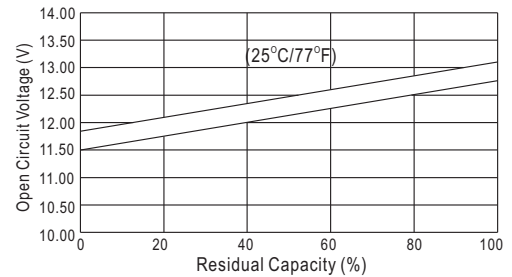
Specification

Nominal Voltage		12 V
Capacity(20HR, 25°C)		2.3 Ah
Dimension	Length	70mm (2.76inch)
	Width	48mm (1.89inch)
	Height	98mm (3.86inch)
	Total Height	104mm (4.09inch)
Approx. Weight		0.85kg (1.87lbs)

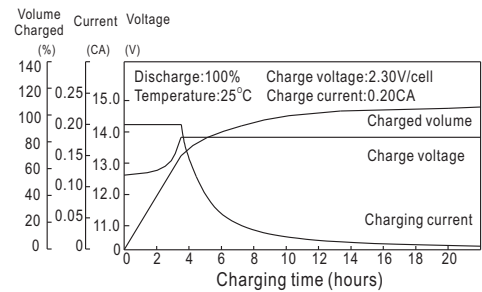
Characteristics

Capacity 20°C (68□) To 1.70V/Cell	20 hour rate	2.3Ah
	10 hour rate	2.1Ah
	5 hour rate	1.95Ah
	1 hour rate	1.44Ah
	15 min rate	1.05Ah
Internal resistance(Fully charged, 25°C)		Approx. 52mΩ
Capacity affected by temperature (20HR)	40°C	102%
	25°C	100%
	0°C	85%
	-15°C	65%
Self-discharge (25°C)	3 month	Remaining Capacity: 91%
	6 month	Remaining Capacity: 82%
	12 month	Remaining Capacity: 65%
Nominal operating temperature		25°C ±3°C(77°F ±5°F)
Operating temperature range		-15°C~50°C(5°F~122°F)
Float charging voltage(25°C)		13.60 to 13.80V
Cyclic charging voltage(25°C)		14.50 to 14.90V
Maximum charging current		0.69A
Terminal material		Copper
Maximum discharge current		34.5A(5 Sec.)

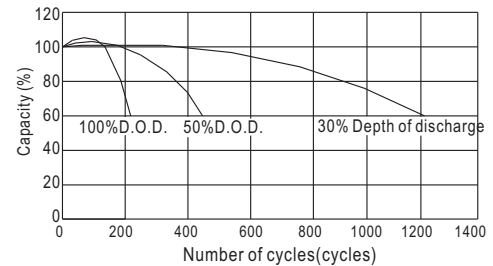
The Relationship for Open Circuit Voltage and Residual Capacity (25°C)



Charging Characteristics(25°C)



Cycle Life(25°C)



Constant Current Discharge Characteristics (A, 25°C)

F.V/TIME	5min	10min	15min	30min	60min	3h	5h	10h	20h
9.60V	8.74	5.52	4.37	2.53	1.50	0.58	0.40	0.21	0.117
10.2V	8.30	5.24	4.20	2.43	1.44	0.58	0.39	0.21	0.116
10.8V	7.80	4.93	3.99	2.31	1.36	0.56	0.38	0.21	0.115

Constant Power Discharge Characteristics (Watt, 25°C)

5min	10min	15min	30min	60min	3h	5h	10h	20h
97.5	62.3	49.8	29.0	17.3	6.93	4.74	2.58	1.40
92.7	59.2	47.8	27.8	16.6	6.83	4.67	2.55	1.39
87.1	55.6	45.4	26.4	15.8	6.69	4.58	2.55	1.38