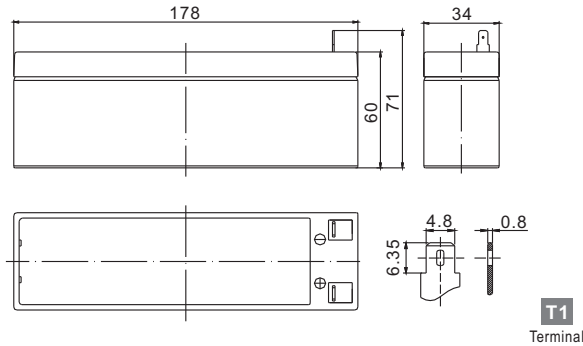


Standard Series FP1226 12V2.6Ah

FirstPower®

Dimension(mm)



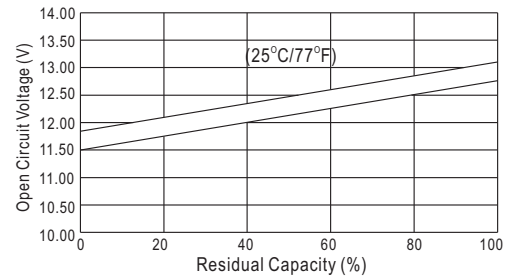
Specification

Nominal Voltage		12 V
Capacity(20HR, 25°C)		2.6Ah
Dimension	Length	178mm (7.01inch)
	Width	34mm (1.34inch)
	Height	60mm (2.36inch)
	Total Height	71mm (2.80inch)
Approx. Weight		0.92kg (2.03lbs)

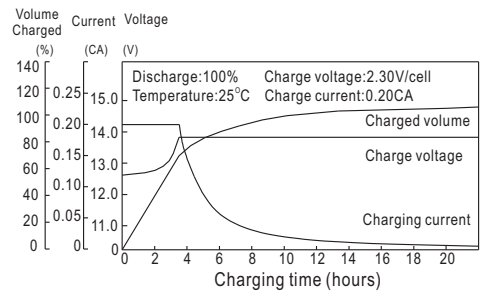
Characteristics

Capacity 20°C (68□) To 1.70V/Cell	20 hour rate	2.6Ah
	10 hour rate	2.3Ah
	5 hour rate	2.1Ah
	1 hour rate	1.54Ah
	15 min rate	1.15Ah
Internal resistance(Fully charged, 25°C)		Approx. 45mΩ
Capacity affected by temperature (20HR)	40°C	102%
	25°C	100%
	0°C	85%
	-15°C	65%
Self-discharge (25°C)	3 month	Remaining Capacity: 91%
	6 month	Remaining Capacity: 82%
	12 month	Remaining Capacity: 65%
Nominal operating temperature		25°C ±3°C(77°F ±5°F)
Operating temperature range		-15°C~50°C(5°F~122°F)
Float charging voltage(25°C)		13.60 to 13.80V
Cyclic charging voltage(25°C)		14.50 to 14.90V
Maximum charging current		0.78A
Terminal material		Copper
Maximum discharge current		39A(5 Sec.)

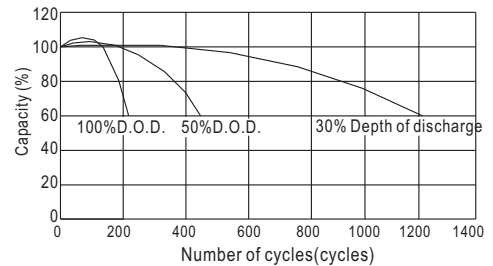
The Relationship for Open Circuit Voltage and Residual Capacity (25°C)



Charging Characteristics(25°C)



Cycle Life(25°C)



Constant Current Discharge Characteristics (A, 25°C)

F.V/TIME	5min	10min	15min	30min	60min	3h	5h	10h	20h
9.60V	9.60	6.20	4.80	2.80	1.60	0.63	0.43	0.23	0.13
10.2V	9.12	5.89	4.61	2.69	1.54	0.62	0.42	0.23	0.13
10.8V	8.57	5.54	4.38	2.55	1.46	0.61	0.41	0.23	0.13

Constant Power Discharge Characteristics (Watt, 25°C)

5min	10min	15min	30min	60min	3h	5h	10h	20h
107	69.9	54.7	32.1	18.5	7.48	5.09	2.80	1.58
102	66.4	52.5	30.8	17.8	7.37	5.01	2.76	1.57
95.7	62.5	49.9	29.3	16.9	7.22	4.91	2.76	1.56