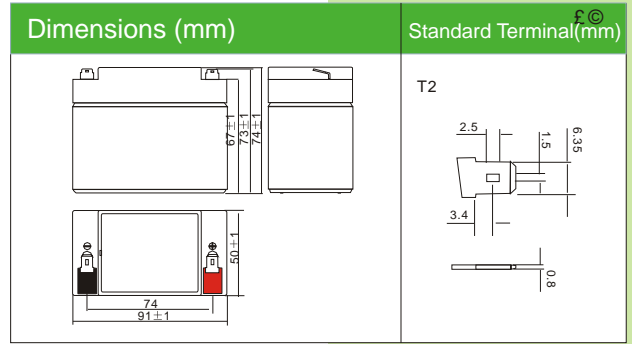
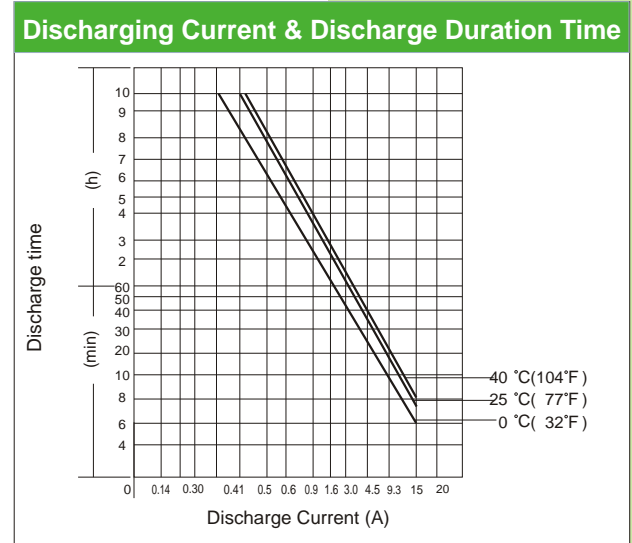




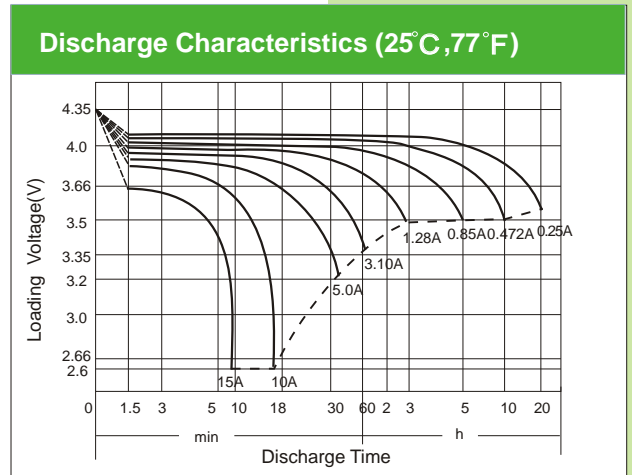
# DJW4-5.0(4V5.0AH)



Physical Specification		
Nominal Voltage	4V	
Nominal Capacity (20HR)	5.0AH	
Dimension	Length	91±1mm (3.58inches)
	Width	50±1mm (1.97 inches)
	Container Height	74±1mm (2.91 inches)
	Total Height (with Terminal)	74±1mm (2.91 inches)
Weight	Approx 0.77kg (1.70 lbs)	
Standard Terminal	T2 (standard)	



Electrical Specification					
Rated Capacity	20 hour rate (250mA)	5.0AH	Constant-Voltage	Cycle	Initial Charging Current less than 1.5A. Voltage 4.80V~ 5.0V at 25°C (77°F) Temp. Coefficient -10V/°C
	10 hour rate (470mA)	4.7AH			
	5 hour rate (850mA)	4.3AH			
	1 hour rate (3.1 A)	3.1AH			
	15minute rate (9.80A)	2.48AH			
Capacity affected by Temperature	40°C (104F)	103%	Charge	Standby	No limit on Initial Charging Current Voltage 4.50V~4.60V at 25°C (77°F) Temp. Coefficient -6mV/°C
	25°C (77F)	100%			
	0°C (32F)	86%			



### Constant Current (Amp) and Constant Power (Watt) Discharge Table (25°C, 77°F)

Time(minute) Final voltage/Cell	5	10	15	20	30	45	60	120	180	300	600	1200
Amp/Watt	1.3	1.3	1.3	1.3	1.6	1.6	1.67	1.7	1.75	1.75	1.75	1.8
A	20.00	14.25	9.80	8.00	5.75	4.00	3.10	1.75	1.28	0.85	0.47	0.25
W	35.80	26.80	18.65	15.56	11.30	7.95	6.15	3.48	2.54	1.70	0.93	0.50