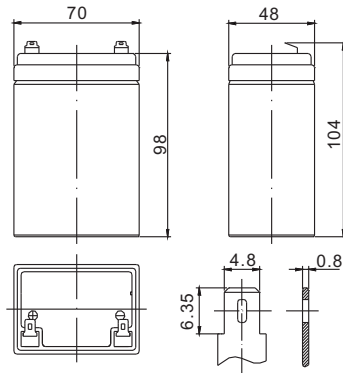


Standard Series FP1226A 12V2.6Ah

FirstPower®

Dimension



T1
Terminal



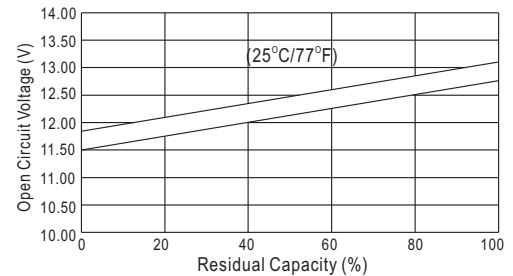
Specification

Nominal Voltage		12 V
Capacity(20HR, 25°C)		2.6Ah
Dimension	Length	70mm (2.76inch)
	Width	48mm (1.89inch)
	Height	98mm (3.86inch)
	Total Height	104mm (4.09inch)
Approx. Weight		0.90kg (1.98lbs)

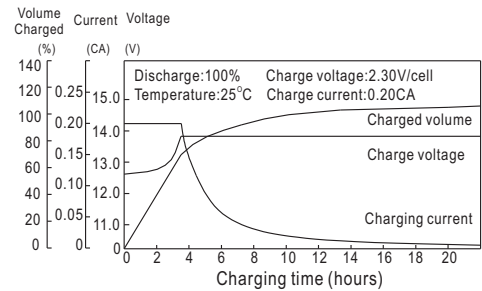
Characteristics

Capacity 20°C (68°F) To 1.70V/Cell	20 hour rate	2.6Ah
	10 hour rate	2.4Ah
	5 hour rate	2.2Ah
	1 hour rate	1.62Ah
	15 min rate	1.18Ah
Internal resistance(Fully charged, 25°C)		Approx. 48m Ω
Capacity affected by temperature (20HR)	40°C	102%
	25°C	100%
	0°C	85%
	-15°C	65%
Self-discharge (25°C)	3 month	Remaining Capacity: 91%
	6 month	Remaining Capacity: 82%
	12 month	Remaining Capacity: 65%
Nominal operating temperature		25°C ±3°C(77°F ±5°F)
Operating temperature range		-15°C~50°C(5°F~122°F)
Float charging voltage(25°C)		13.60 to 13.80V
Cyclic charging voltage(25°C)		14.50 to 14.90V
Maximum charging current		0.78A
Terminal material		Copper
Maximum discharge current		39A(5 Sec.)

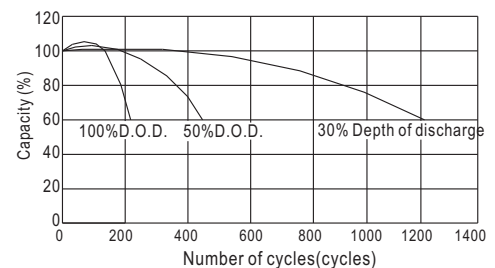
The Relationship for Open Circuit Voltage and Residual Capacity (25°C)



Charging Characteristics(25°C)



Cycle Life(25°C)



Constant Current Discharge Characteristics (A, 25°C)

F.V/TIME	5min	10min	15min	30min	60min	3h	5h	10h	20h
9.60V	9.88	6.24	4.94	2.86	1.69	0.66	0.45	0.24	0.13
10.2V	9.39	5.93	4.74	2.75	1.62	0.65	0.44	0.24	0.13
10.8V	8.82	5.57	4.51	2.61	1.54	0.64	0.43	0.24	0.13

Constant Power Discharge Characteristics (Watt, 25°C)

5min	10min	15min	30min	60min	3h	5h	10h	20h
110	70.4	56.3	32.8	19.6	7.84	5.36	2.91	1.58
105	66.9	54.1	31.5	18.8	7.72	5.28	2.89	1.57
98.5	62.9	51.4	29.9	17.8	7.57	5.17	2.89	1.56