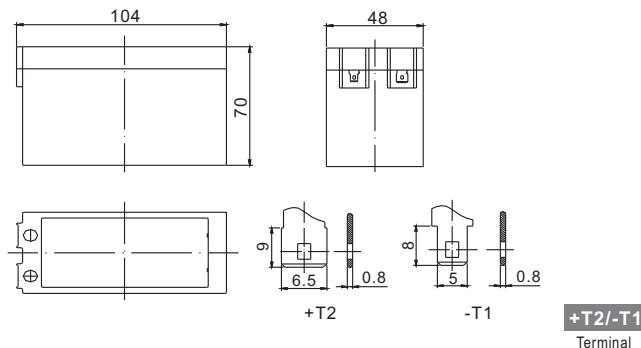


Standard Series FP1227 12V2.7Ah

FirstPower®

Dimension(mm)



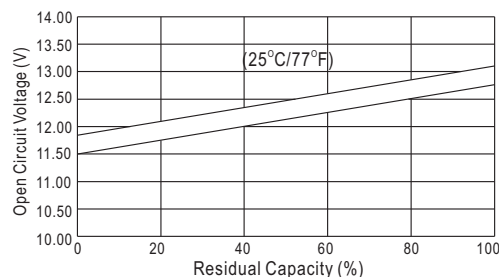
Specification

| | | |
|----------------------|--------------|------------------|
| Nominal Voltage | | 12 V |
| Capacity(20HR, 25°C) | | 2.7 Ah |
| Dimension | Length | 104mm (4.09inch) |
| | Width | 48mm (1.89inch) |
| | Height | 70mm (2.76inch) |
| | Total Height | 70mm (2.76inch) |
| Approx. Weight | | 0.99kg (2.18lbs) |

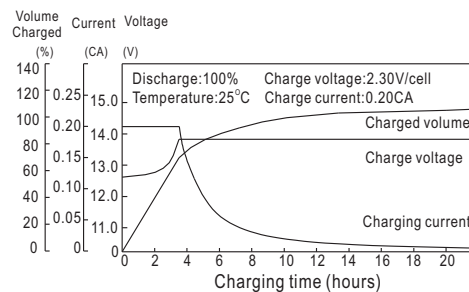
Characteristics

| | | |
|--|--------------|-------------------------|
| Capacity 20°C (68□) To 1.70V/Cell | 20 hour rate | 2.7Ah |
| | 10 hour rate | 2.5Ah |
| | 5 hour rate | 2.4Ah |
| | 1 hour rate | 1.82Ah |
| | 15 min rate | 1.29Ah |
| Internal resistance(Fully charged, 25°C) | | Approx. 40mΩ |
| Capacity affected by temperature (20HR) | 40°C | 102% |
| | 25°C | 100% |
| | 0°C | 85% |
| | -15°C | 65% |
| Self-discharge (25°C) | 3 month | Remaining Capacity: 91% |
| | 6 month | Remaining Capacity: 82% |
| | 12 month | Remaining Capacity: 65% |
| Nominal operating temperature | | 25°C ±3°C(77°F ±5°F) |
| Operating temperature range | | -15°C~50°C(5°F~122°F) |
| Float charging voltage(25°C) | | 13.60 to 13.80V |
| Cyclic charging voltage(25°C) | | 14.50 to 14.90V |
| Maximum charging current | | 0.81A |
| Terminal material | | Copper |
| Maximum discharge current | | 40A(5 Sec.) |

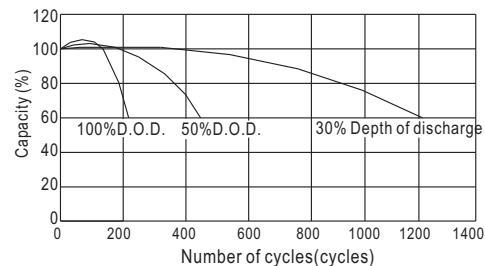
The Relationship for Open Circuit Voltage and Residual Capacity (25°C)



Charging Characteristics(25°C)



Cycle Life(25°C)



Constant Current Discharge Characteristics (A, 25°C)

| F.V/TIME | 5min | 10min | 15min | 30min | 60min | 3h | 5h | 10h | 20h |
|----------|------|-------|-------|-------|-------|------|------|------|-------|
| 9.60V | 12.0 | 7.50 | 5.40 | 3.20 | 1.90 | 0.71 | 0.49 | 0.25 | 0.14 |
| 10.2V | 11.4 | 7.13 | 5.18 | 3.07 | 1.82 | 0.70 | 0.48 | 0.25 | 0.14 |
| 10.8V | 10.7 | 6.70 | 4.92 | 2.92 | 1.73 | 0.69 | 0.47 | 0.25 | 0.135 |

Constant Power Discharge Characteristics (Watt, 25°C)

| 5min | 10min | 15min | 30min | 60min | 3h | 5h | 10h | 20h |
|------|-------|-------|-------|-------|------|------|------|------|
| 134 | 84.6 | 61.6 | 36.7 | 22.0 | 8.43 | 5.85 | 3.05 | 1.58 |
| 127 | 80.4 | 59.1 | 35.2 | 21.1 | 8.32 | 5.73 | 3.02 | 1.57 |
| 119 | 75.6 | 56.1 | 33.5 | 20.0 | 7.20 | 5.61 | 3.02 | 1.56 |