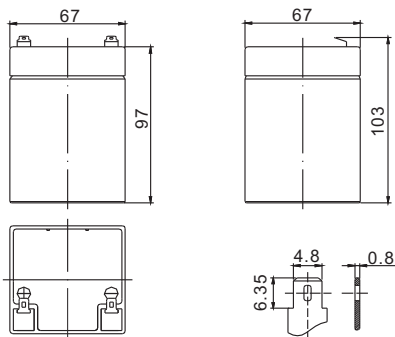


Standard Series FP1228 12V2.8Ah

FirstPower®

Dimension(mm)



T1
Terminal



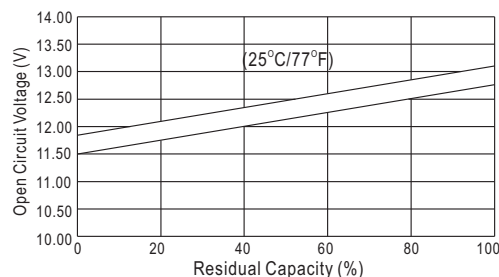
Specification

| | | |
|----------------------|--------------|------------------|
| Nominal Voltage | | 12 V |
| Capacity(20HR, 25°C) | | 2.8Ah |
| Dimension | Length | 67mm (2.64inch) |
| | Width | 67mm (2.64inch) |
| | Height | 97mm (3.82inch) |
| | Total Height | 103mm (4.06inch) |
| Approx. Weight | | 1.2kg (2.65lbs) |

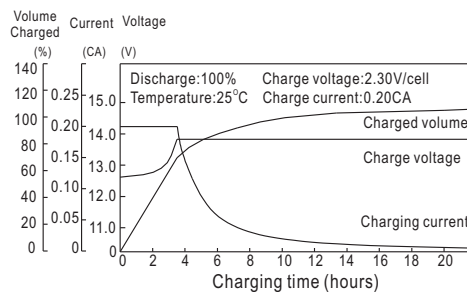
Characteristics

| | | |
|--|--------------|-------------------------|
| Capacity 20°C (68□) To 1.70V/Cell | 20 hour rate | 2.8Ah |
| | 10 hour rate | 2.5Ah |
| | 5 hour rate | 2.25Ah |
| | 1 hour rate | 1.76Ah |
| | 15 min rate | 1.32Ah |
| Internal resistance(Fully charged, 25°C) | | Approx. 45mΩ |
| Capacity affected by temperature (20HR) | 40°C | 102% |
| | 25°C | 100% |
| | 0°C | 85% |
| | -15°C | 65% |
| Self-discharge (25°C) | 3 month | Remaining Capacity: 91% |
| | 6 month | Remaining Capacity: 82% |
| | 12 month | Remaining Capacity: 65% |
| Nominal operating temperature | | 25°C ±3°C(77°F ±5°F) |
| Operating temperature range | | -15°C~50°C(5°F~122°F) |
| Float charging voltage(25°C) | | 13.60 to 13.80V |
| Cyclic charging voltage(25°C) | | 14.50 to 14.90V |
| Maximum charging current | | 0.84A |
| Terminal material | | Copper |
| Maximum discharge current | | 42A(5 Sec.) |

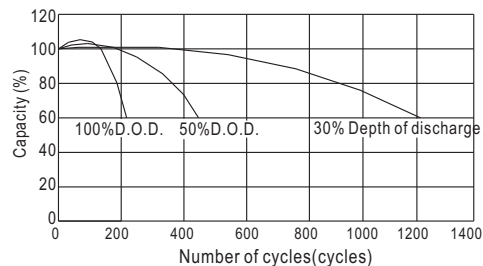
The Relationship for Open Circuit Voltage and Residual Capacity (25°C)



Charging Characteristics(25°C)



Cycle Life(25°C)



Constant Current Discharge Characteristics (A, 25°C)

| F.V/TIME | 5min | 10min | 15min | 30min | 60min | 3h | 5h | 10h | 20h |
|----------|------|-------|-------|-------|-------|------|------|------|------|
| 9.60V | 11.5 | 7.20 | 5.50 | 3.10 | 1.83 | 0.71 | 0.46 | 0.25 | 0.14 |
| 10.2V | 10.9 | 6.84 | 5.28 | 2.98 | 1.76 | 0.70 | 0.45 | 0.25 | 0.14 |
| 10.8V | 10.2 | 6.43 | 5.02 | 2.83 | 1.67 | 0.69 | 0.44 | 0.25 | 0.14 |

Constant Power Discharge Characteristics (Watt, 25°C)

| F.V/TIME | 5min | 10min | 15min | 30min | 60min | 3h | 5h | 10h | 20h |
|----------|------|-------|-------|-------|-------|------|------|------|------|
| 9.60V | 128 | 81.2 | 62.7 | 35.5 | 21.2 | 8.43 | 5.49 | 3.05 | 1.71 |
| 10.2V | 122 | 77.2 | 60.2 | 34.2 | 20.4 | 8.32 | 5.37 | 3.02 | 1.69 |
| 10.8V | 114 | 72.5 | 57.2 | 32.4 | 19.3 | 8.20 | 5.25 | 3.02 | 1.68 |