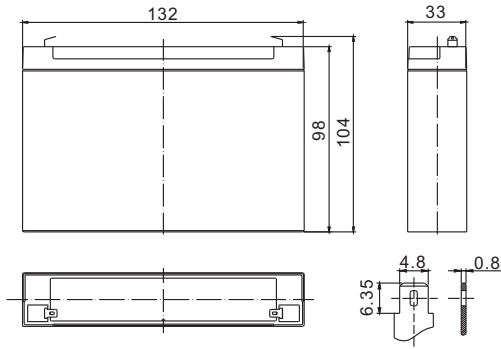


Standard Series FP1228A 12V2.8Ah

FirstPower®

Dimension(mm)



T1
Terminal



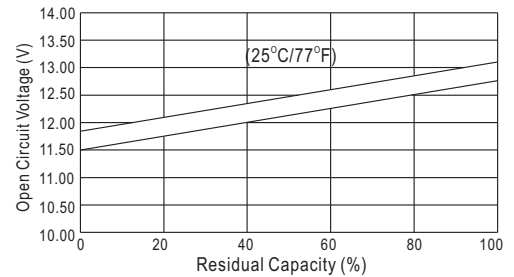
Specification

Nominal Voltage		12 V
Capacity(20HR, 25°C)		2.8Ah
Dimension	Length	132mm (5.20inch)
	Width	33mm (1.30inch)
	Height	98mm (3.86inch)
	Total Height	104mm (4.09inch)
Approx. Weight		1.2kg (2.65lbs)

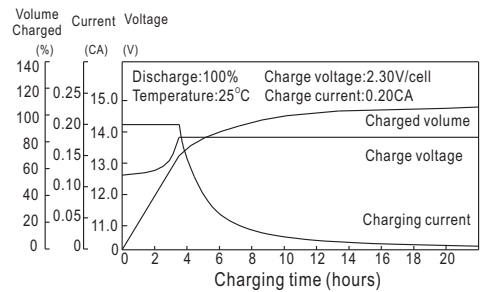
Characteristics

Capacity 20°C (68□) To 1.70V/Cell	20 hour rate	2.8Ah
	10 hour rate	2.6Ah
	5 hour rate	2.4Ah
	1 hour rate	1.75Ah
	15 min rate	1.27Ah
Internal resistance(Fully charged, 25°C)		Approx. 45mΩ
Capacity affected by temperature (20HR)	40°C	102%
	25°C	100%
	0°C	85%
	-15°C	65%
Self-discharge (25°C)	3 month	Remaining Capacity: 91%
	6 month	Remaining Capacity: 82%
	12 month	Remaining Capacity: 65%
Nominal operating temperature		25°C ±3°C(77°F ±5°F)
Operating temperature range		-15°C~50°C(5°F~122°F)
Float charging voltage(25°C)		13.60 to 13.80V
Cyclic charging voltage(25°C)		14.50 to 14.90V
Maximum charging current		0.84A
Terminal material		Copper
Maximum discharge current		42A(5 Sec.)

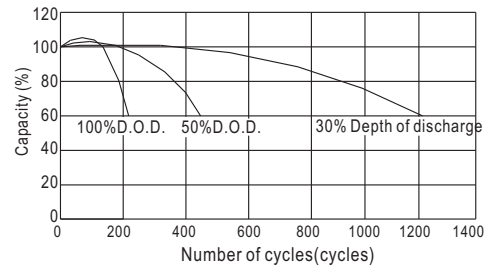
The Relationship for Open Circuit Voltage and Residual Capacity (25°C)



Charging Characteristics(25°C)



Cycle Life(25°C)



Constant Current Discharge Characteristics (A, 25°C)

F.V/TIME	5min	10min	15min	30min	60min	3h	5h	10h	20h
9.60V	10.6	6.72	5.32	3.08	1.82	0.71	0.48	0.26	0.14
10.2V	10.1	6.38	5.11	2.96	1.75	0.70	0.48	0.26	0.14
10.8V	9.50	6.00	4.85	2.81	1.66	0.69	0.47	0.26	0.14

Constant Power Discharge Characteristics (Watt, 25°C)

5min	10min	15min	30min	60min	3h	5h	10h	20h
119	75.8	60.6	35.3	21.1	8.44	5.77	3.14	1.71
113	72.0	58.2	33.9	20.2	8.32	5.68	3.11	1.69
106	67.7	55.3	32.2	19.2	8.15	5.57	3.11	1.68