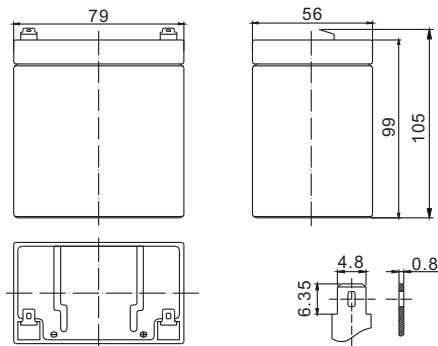


Standard Series FP1229 12V2.9Ah

FirstPower®

Dimension(mm)



T1
Terminal



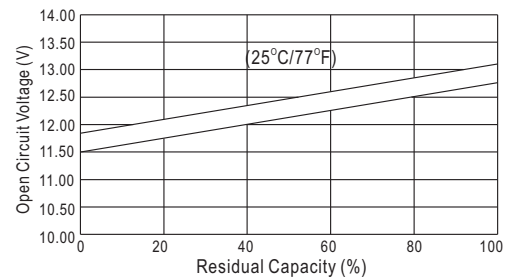
Specification

Nominal Voltage		12 V
Capacity(20HR, 25°C)		2.9Ah
Dimension	Length	79mm (3.11inch)
	Width	56mm (2.20inch)
	Height	99mm (3.90inch)
	Total Height	105mm (4.13inch)
Approx. Weight		1.1kg (2.43lbs)

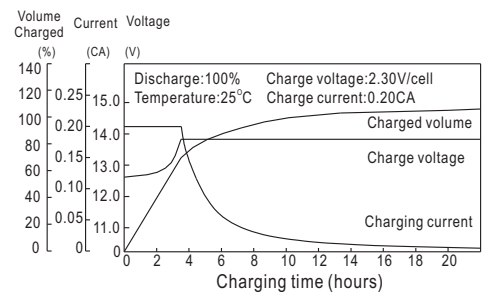
Characteristics

Capacity 20°C (68□) To 1.70V/Cell	20 hour rate	2.9Ah
	10 hour rate	2.7Ah
	5 hour rate	2.45Ah
	1 hour rate	1.81Ah
	15 min rate	1.32Ah
Internal resistance(Fully charged, 25°C)		Approx. 42mΩ
Capacity affected by temperature (20HR)	40°C	102%
	25°C	100%
	0°C	85%
	-15°C	65%
Self-discharge (25°C)	3 month	Remaining Capacity: 91%
	6 month	Remaining Capacity: 82%
	12 month	Remaining Capacity: 65%
Nominal operating temperature		25°C ±3°C(77°F ±5°F)
Operating temperature range		-15°C~50°C(5°F~122°F)
Float charging voltage(25°C)		13.60 to 13.80V
Cyclic charging voltage(25°C)		14.50 to 14.90V
Maximum charging current		0.87A
Terminal material		Copper
Maximum discharge current		43.5A(5 Sec.)

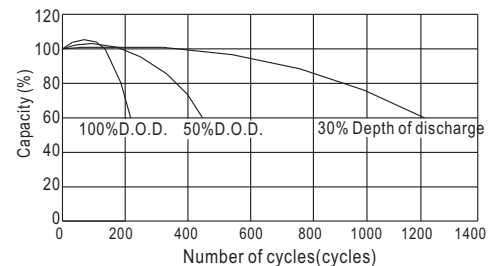
The Relationship for Open Circuit Voltage and Residual Capacity (25°C)



Charging Characteristics(25°C)



Cycle Life(25°C)



Constant Current Discharge Characteristics (A, 25°C)

F.V/TIME	5min	10min	15min	30min	60min	3h	5h	10h	20h
9.60V	11.0	6.96	5.51	3.19	1.89	0.74	0.50	0.27	0.15
10.2V	10.5	6.61	5.29	3.06	1.81	0.73	0.49	0.27	0.15
10.8V	9.84	6.22	5.03	2.91	1.72	0.71	0.48	0.27	0.15

Constant Power Discharge Characteristics (Watt, 25°C)

F.V/TIME	5min	10min	15min	30min	60min	3h	5h	10h	20h
9.60V	123	78.5	62.8	36.6	21.8	8.74	5.97	3.25	1.77
10.2V	117	74.6	60.3	35.1	21.0	8.61	5.89	3.22	1.75
10.8V	110	70.1	57.3	33.3	19.9	8.44	5.77	3.22	1.74