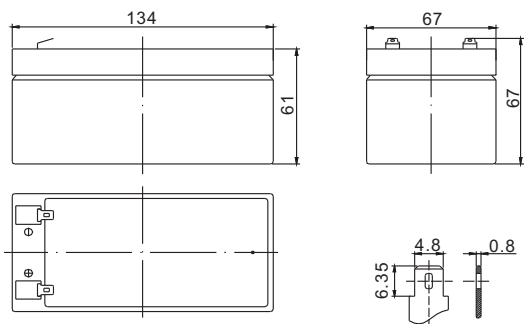


# Standard Series FP1232 12V3.2Ah

**FirstPower®**

## Dimension(mm)



**T1**  
Terminal



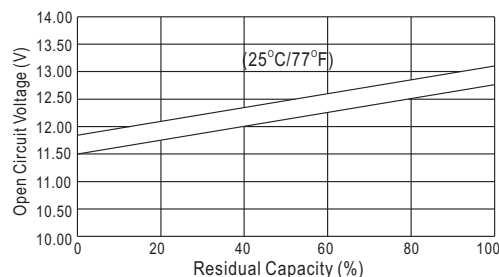
## Specification

|                      |              |                  |
|----------------------|--------------|------------------|
| Nominal Voltage      |              | 12 V             |
| Capacity(20HR, 25°C) |              | 3.2 Ah           |
| Dimension            | Length       | 134mm (5.28inch) |
|                      | Width        | 67mm (2.64inch)  |
|                      | Height       | 61mm (2.40inch)  |
|                      | Total Height | 67mm (2.64inch)  |
| Approx. Weight       |              | 1.3kg (2.87lbs)  |

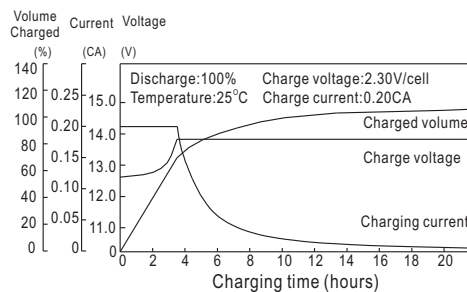
## Characteristics

|  |              |                         |
|--|--------------|-------------------------|
| Capacity 20°C<br>(68□) To<br>1.70V/Cell  | 20 hour rate | 3.2Ah                   |
|  | 10 hour rate | 3.0Ah                   |
|  | 5 hour rate  | 2.7Ah                   |
|  | 1 hour rate  | 2.0Ah                   |
|  | 15 min rate  | 1.46Ah                  |
| Internal resistance(Fully charged, 25°C) |              | Approx. 50mΩ            |
| Capacity affected by temperature (20HR)  | 40°C         | 102%                    |
|  | 25°C         | 100%                    |
|  | 0°C          | 85%                     |
|  | -15°C        | 65%                     |
| Self-discharge (25°C)                    | 3 month      | Remaining Capacity: 91% |
|  | 6 month      | Remaining Capacity: 82% |
|  | 12 month     | Remaining Capacity: 65% |
| Nominal operating temperature            |              | 25°C ±3°C(77°F ±5°F)    |
| Operating temperature range              |              | -15°C~50°C(5°F~122°F)   |
| Float charging voltage(25°C)             |              | 13.60 to 13.80V         |
| Cyclic charging voltage(25°C)            |              | 14.50 to 14.90V         |
| Maximum charging current                 |              | 0.96A                   |
| Terminal material                        |              | Copper                  |
| Maximum discharge current                |              | 48A(5 Sec.)             |

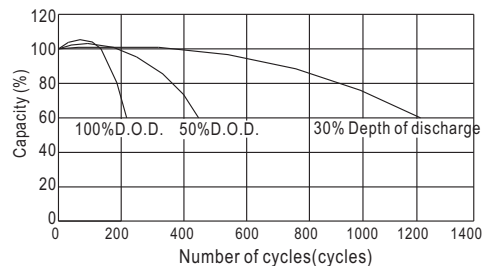
## The Relationship for Open Circuit Voltage and Residual Capacity (25°C)



## Charging Characteristics(25°C)



## Cycle Life(25°C)



## Constant Current Discharge Characteristics (A, 25°C)

| F.V/TIME | 5min | 10min | 15min | 30min | 60min | 3h   | 5h   | 10h  | 20h  |
|----------|------|-------|-------|-------|-------|------|------|------|------|
| 9.60V    | 12.2 | 7.68  | 6.08  | 3.52  | 2.08  | 0.81 | 0.55 | 0.30 | 0.16 |
| 10.2V    | 11.6 | 7.30  | 5.84  | 3.38  | 2.00  | 0.80 | 0.54 | 0.30 | 0.16 |
| 10.8V    | 10.9 | 6.86  | 5.54  | 3.21  | 1.90  | 0.78 | 0.53 | 0.29 | 0.16 |

## Constant Power Discharge Characteristics (Watt, 25°C)

| 5min | 10min | 15min | 30min | 60min | 3h   | 5h   | 10h  | 20h  |
|------|-------|-------|-------|-------|------|------|------|------|
| 136  | 86.6  | 69.3  | 40.3  | 24.1  | 9.65 | 6.59 | 3.59 | 1.95 |
| 129  | 82.3  | 66.5  | 38.7  | 23.1  | 9.50 | 6.50 | 3.55 | 1.93 |
| 121  | 77.4  | 63.2  | 36.8  | 22.0  | 9.31 | 6.37 | 3.55 | 1.92 |