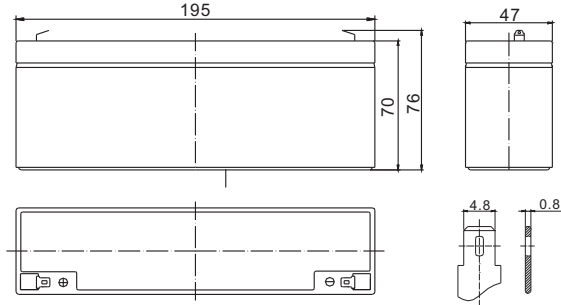


Standard Series FP1242 12V4.2Ah

FirstPower®

Dimension



T1
Terminal



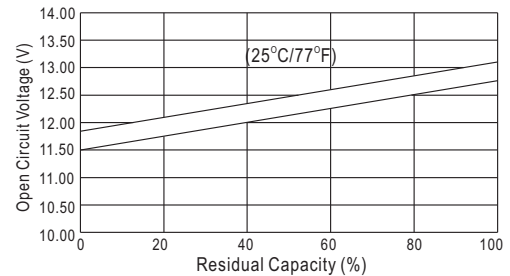
Specification

Nominal Voltage		12 V
Capacity(20HR, 25°C)		4.2Ah
Dimension	Length	195mm (7.68inch)
	Width	47mm (1.85inch)
	Height	70mm (2.76inch)
	Total Height	76mm (2.99inch)
Approx. Weight		1.58kg (3.48lbs)

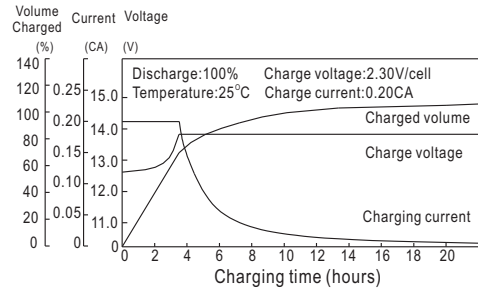
Characteristics

Capacity 20°C (68□) To 1.70V/Cell	20 hour rate	4.2Ah
	10 hour rate	3.9Ah
	5 hour rate	3.55Ah
	1 hour rate	2.62Ah
	15 min rate	1.91Ah
Internal resistance(Fully charged, 25°C)		Approx. 45m Ω
Capacity affected by temperature (20HR)	40°C	102%
	25°C	100%
	0°C	85%
	-15°C	65%
Self-discharge (25°C)	3 month	Remaining Capacity: 91%
	6 month	Remaining Capacity: 82%
	12 month	Remaining Capacity: 65%
Nominal operating temperature		25°C ±3°C(77°F ±5°F)
Operating temperature range		-15°C~50°C(5°F~122°F)
Float charging voltage(25°C)		13.60 to 13.80V
Cyclic charging voltage(25°C)		14.50 to 14.90V
Maximum charging current		1.26A
Terminal material		Copper
Maximum discharge current		63A(5 Sec.)

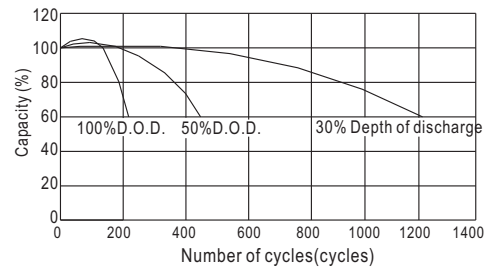
The Relationship for Open Circuit Voltage and Residual Capacity (25°C)



Charging Characteristics(25°C)



Cycle Life(25°C)



Constant Current Discharge Characteristics (A, 25°C)

F.V/TIME	5min	10min	15min	30min	60min	3h	5h	10h	20h
9.60V	16.0	10.1	7.98	4.62	2.73	1.07	0.72	0.39	0.21
10.2V	15.2	9.58	7.66	4.44	2.62	1.05	0.71	0.39	0.21
10.8V	14.3	9.00	7.28	4.21	2.49	1.03	0.70	0.39	0.21

Constant Power Discharge Characteristics (Watt, 25°C)

5min	10min	15min	30min	60min	3h	5h	10h	20h
178	114	91.0	52.9	31.6	12.7	8.65	4.71	2.56
169	108	87.3	50.8	30.3	12.5	8.53	4.66	2.54
159	102	83.0	48.3	28.8	12.2	8.35	4.66	2.52