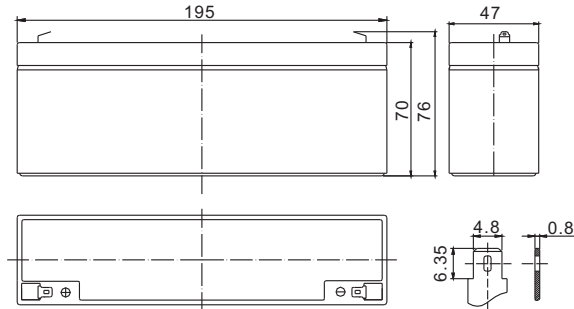


# Standard Series FP1245A 12V4.5Ah

**FirstPower®**

## Dimension(mm)



**T1**  
Terminal



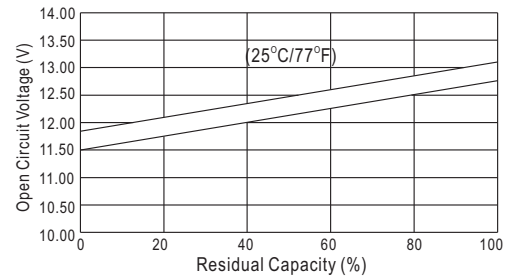
## Specification

Nominal Voltage		12 V
Capacity(20HR, 25°C)		4.5 Ah
Dimension	Length	195mm (7.68inch)
	Width	47mm (1.85inch)
	Height	70mm (2.76inch)
	Total Height	76mm (2.99inch)
Approx. Weight		1.62kg (3.57lbs)

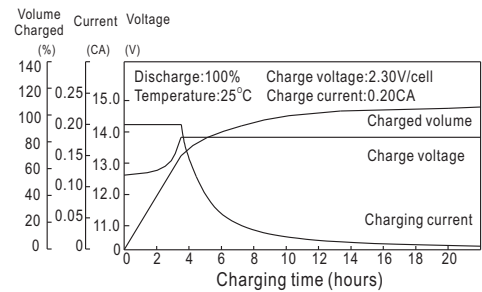
## Characteristics

Capacity 20°C (68□) To 1.70V/Cell	20 hour rate	4.5Ah
	10 hour rate	4.2Ah
	5 hour rate	3.85Ah
	1 hour rate	2.81Ah
	15 min rate	2.05Ah
Internal resistance(Fully charged, 25°C)		Approx. 40mΩ
Capacity affected by temperature (20HR)	40°C	102%
	25°C	100%
	0°C	85%
	-15°C	65%
Self-discharge (25°C)	3 month	Remaining Capacity: 91%
	6 month	Remaining Capacity: 82%
	12 month	Remaining Capacity: 65%
Nominal operating temperature		25°C ±3°C(77°F ±5°F)
Operating temperature range		-15°C~50°C(5°F~122°F)
Float charging voltage(25°C)		13.60 to 13.80V
Cyclic charging voltage(25°C)		14.50 to 14.90V
Maximum charging current		1.35A
Terminal material		Copper
Maximum discharge current		67.5A(5 Sec.)

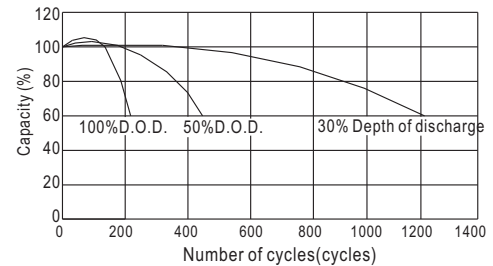
## The Relationship for Open Circuit Voltage and Residual Capacity (25°C)



## Charging Characteristics(25°C)



## Cycle Life(25°C)



## Constant Current Discharge Characteristics (A, 25°C)

F.V/TIME	5min	10min	15min	30min	60min	3h	5h	10h	20h
9.60V	17.1	10.8	8.55	4.95	2.93	1.14	0.78	0.42	0.228
10.2V	16.2	10.3	8.21	4.75	2.81	1.13	0.77	0.42	0.226
10.8V	15.3	9.64	7.80	4.51	2.67	1.10	0.75	0.41	0.225

## Constant Power Discharge Characteristics (Watt, 25°C)

5min	10min	15min	30min	60min	3h	5h	10h	20h
191	122	97.5	56.7	33.9	13.6	9.27	5.04	2.74
181	116	93.6	54.5	32.5	13.4	9.13	5.00	2.72
170	109	88.9	51.7	30.9	13.1	8.95	5.00	2.70