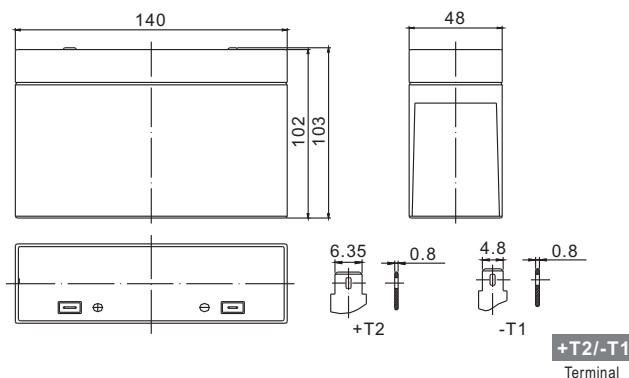


Standard Series FP1250A 12V5.0Ah

FirstPower®

Dimension(mm)



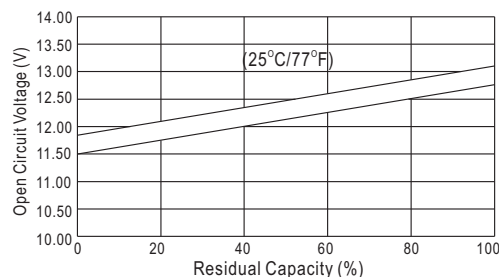
Specification

| | | |
|----------------------|------------------|------------------|
| Nominal Voltage | 12 V | |
| Capacity(20HR, 25°C) | 5 Ah | |
| Dimension | Length | 140mm (5.51inch) |
| | Width | 48mm (1.89inch) |
| | Height | 102mm (4.02inch) |
| | Total Height | 103mm (4.06inch) |
| Approx. Weight | 1.67kg (3.67lbs) | |

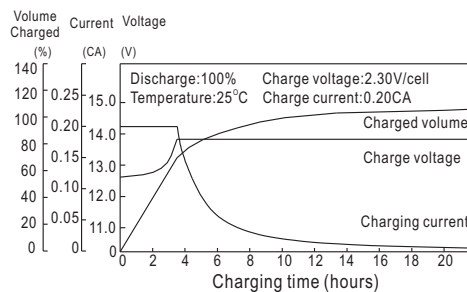
Characteristics

| | | |
|------------------------------------------|-----------------------|-------------------------|
| Capacity 20°C (68□) To 1.70V/Cell | 20 hour rate | 5Ah |
| | 10 hour rate | 4.6Ah |
| | 5 hour rate | 4.3Ah |
| | 1 hour rate | 3.07Ah |
| | 15 min rate | 2.28Ah |
| Internal resistance(Fully charged, 25°C) | Approx. 34mΩ | |
| Capacity affected by temperature (20HR) | 40°C | 102% |
| | 25°C | 100% |
| | 0°C | 85% |
| | -15°C | 65% |
| Self-discharge (25°C) | 3 month | Remaining Capacity: 91% |
| | 6 month | Remaining Capacity: 82% |
| | 12 month | Remaining Capacity: 65% |
| Nominal operating temperature | 25°C ±3°C(77°F ±5°F) | |
| Operating temperature range | -15°C~50°C(5°F~122°F) | |
| Float charging voltage(25°C) | 13.60 to 13.80V | |
| Cyclic charging voltage(25°C) | 14.50 to 14.90V | |
| Maximum charging current | 1.5A | |
| Terminal material | Copper | |
| Maximum discharge current | 75A(5 Sec.) | |

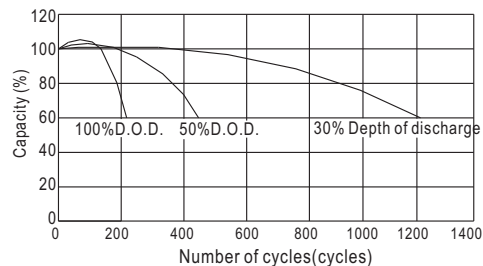
The Relationship for Open Circuit Voltage and Residual Capacity (25°C)



Charging Characteristics(25°C)



Cycle Life(25°C)



Constant Current Discharge Characteristics (A, 25°C)

| F.V/TIME | 5min | 10min | 15min | 30min | 60min | 3h | 5h | 10h | 20h |
|----------|------|-------|-------|-------|-------|------|------|------|------|
| 9.60V | 18.5 | 11.8 | 9.50 | 5.75 | 3.20 | 1.27 | 0.87 | 0.47 | 0.25 |
| 10.2V | 17.6 | 11.2 | 9.12 | 5.52 | 3.07 | 1.25 | 0.86 | 0.46 | 0.25 |
| 10.8V | 16.5 | 10.5 | 8.66 | 5.24 | 2.92 | 1.22 | 0.84 | 0.44 | 0.24 |

Constant Power Discharge Characteristics (Watt, 25°C)

| 5min | 10min | 15min | 30min | 60min | 3h | 5h | 10h | 20h |
|------|-------|-------|-------|-------|------|------|------|------|
| 206 | 133 | 108 | 65.9 | 37.1 | 15.1 | 10.4 | 5.64 | 3.00 |
| 196 | 126 | 104 | 63.3 | 35.6 | 14.9 | 10.3 | 5.52 | 3.00 |
| 184 | 118 | 98.8 | 60.1 | 33.8 | 14.5 | 10.0 | 5.28 | 2.88 |