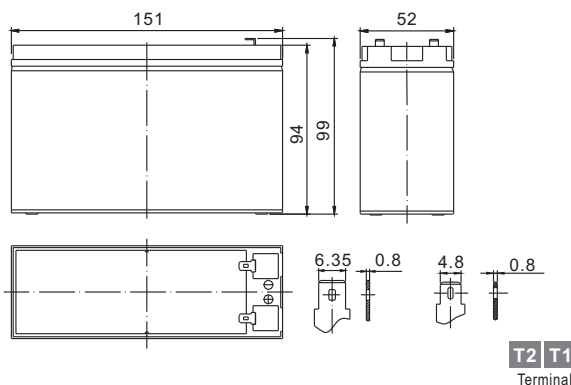


Standard Series FP1265 12V6.5Ah

FirstPower®

Dimension(mm)



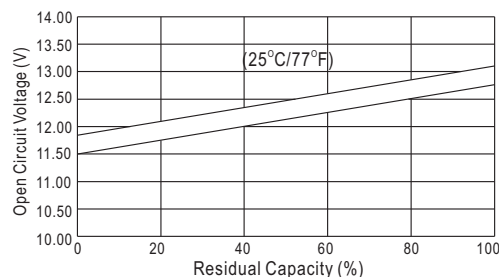
Specification

Nominal Voltage		12 V
Capacity(20HR, 25°C)		6.5 Ah
Dimension	Length	151mm (5.94inch)
	Width	52mm (2.05inch)
	Height	94mm (3.70inch)
	Total Height(T2/T1)	99mm (3.90inch)
Approx. Weight		1.92kg (4.17lbs)

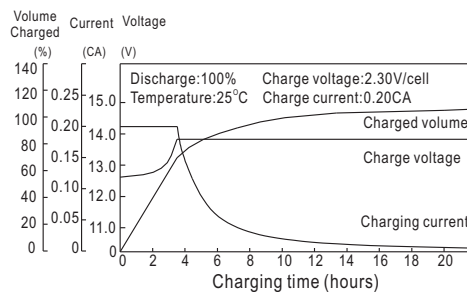
Characteristics

Capacity 20°C (68□) To 1.70V/Cell	20 hour rate	6.5Ah
	10 hour rate	5.9Ah
	5 hour rate	5.2Ah
	1 hour rate	3.74Ah
	15 min rate	2.73Ah
Internal resistance(Fully charged, 25°C)		Approx. 24mΩ
Capacity affected by temperature (20HR)	40°C	102%
	25°C	100%
	0°C	85%
	-15°C	65%
Self-discharge (25°C)	3 month	Remaining Capacity: 91%
	6 month	Remaining Capacity: 82%
	12 month	Remaining Capacity: 65%
Nominal operating temperature		25°C ±3°C(77°F ±5°F)
Operating temperature range		-15°C~50°C(5°F~122°F)
Float charging voltage(25°C)		13.60 to 13.80V
Cyclic charging voltage(25°C)		14.50 to 14.90V
Maximum charging current		1.95A
Terminal material		Copper
Maximum discharge current		98A(5 Sec.)

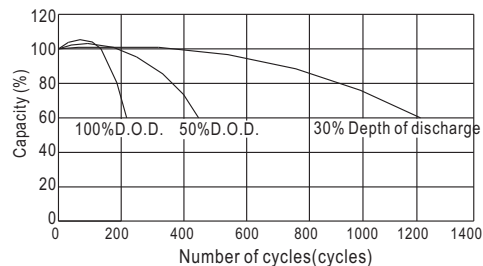
The Relationship for Open Circuit Voltage and Residual Capacity (25°C)



Charging Characteristics(25°C)



Cycle Life(25°C)



Constant Current Discharge Characteristics (A, 25°C)

F.V/TIME	5min	10min	15min	30min	60min	3h	5h	10h	20h
9.60V	22.8	14.3	11.4	6.83	3.90	1.58	1.06	0.59	0.33
10.2V	21.6	13.6	10.9	6.55	3.74	1.56	1.04	0.59	0.33
10.8V	20.3	12.8	10.4	6.22	3.56	1.53	1.02	0.59	0.33

Constant Power Discharge Characteristics (Watt, 25°C)

5min	10min	15min	30min	60min	3h	5h	10h	20h
254	161	130	78.2	45.2	18.8	12.6	7.13	3.96
241	153	124	75.1	43.4	18.5	12.4	7.06	3.92
227	144	118	71.3	41.2	18.2	12.2	7.06	3.90