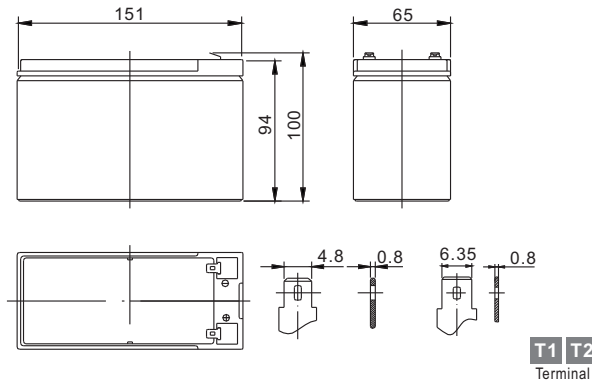


Standard Series FP1275 12V7.5Ah

FirstPower®

Dimension(mm)



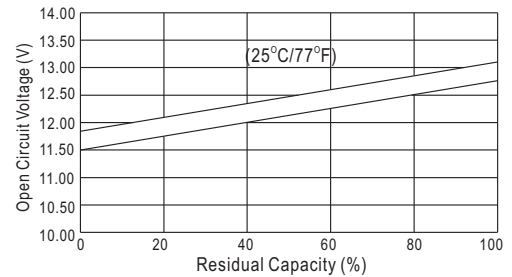
Specification

Nominal Voltage		12 V
Capacity(20HR, 25°C)		7.5 Ah
Dimension	Length	151mm (5.94inch)
	Width	65mm (2.56inch)
	Height	94mm (3.70inch)
	Total Height(T1/T2)	100mm (3.94inch)
Approx. Weight		2.32kg (5.10lbs)

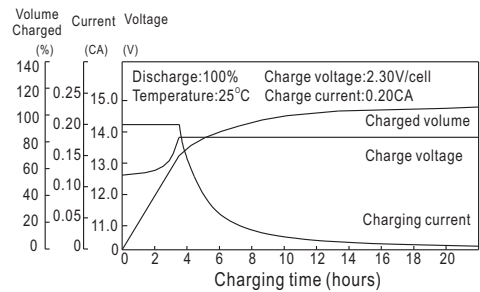
Characteristics

Capacity 20°C (68□) To 1.70V/Cell	20 hour rate	7.5Ah
	10 hour rate	7.1Ah
	5 hour rate	6.4Ah
	1 hour rate	4.68Ah
	15 min rate	3.43Ah
Internal resistance(Fully charged, 25°C)		Approx. 24mΩ
Capacity affected by temperature (20HR)	40°C	102%
	25°C	100%
	0°C	85%
	-15°C	65%
Self-discharge (25°C)	3 month	Remaining Capacity: 91%
	6 month	Remaining Capacity: 82%
	12 month	Remaining Capacity: 65%
Nominal operating temperature		25°C ±3°C(77°F ±5°F)
Operating temperature range		-15°C~50°C(5°F~122°F)
Float charging voltage(25°C)		13.60 to 13.80V
Cyclic charging voltage(25°C)		14.50 to 14.90V
Maximum charging current		2.25A
Terminal material		Copper
Maximum discharge current		112.5A(5 Sec.)

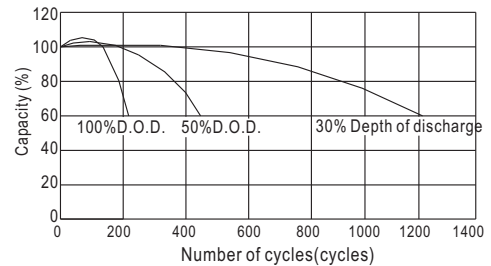
The Relationship for Open Circuit Voltage and Residual Capacity (25°C)



Charging Characteristics(25°C)



Cycle Life(25°C)



Constant Current Discharge Characteristics (A, 25°C)

F.V/TIME	5min	10min	15min	30min	60min	3h	5h	10h	20h
9.60V	28.5	18.0	14.3	8.25	4.88	1.90	1.29	0.72	0.38
10.2V	27.1	17.1	13.7	7.92	4.68	1.88	1.28	0.71	0.38
10.8V	25.5	16.1	13.0	7.52	4.45	1.84	1.25	0.69	0.38

Constant Power Discharge Characteristics (Watt, 25°C)

5min	10min	15min	30min	60min	3h	5h	10h	20h
318	203	162	94.5	56.5	22.6	15.5	8.64	4.57
302	193	156	90.8	54.2	22.3	15.2	8.52	4.53
284	181	148	86.2	51.5	21.8	14.9	8.28	4.50