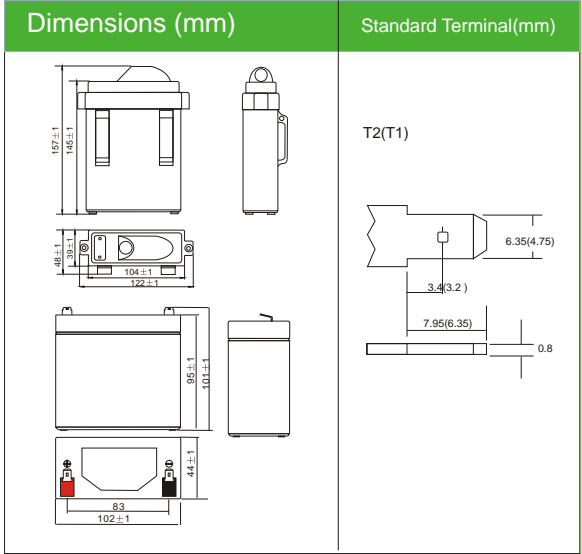




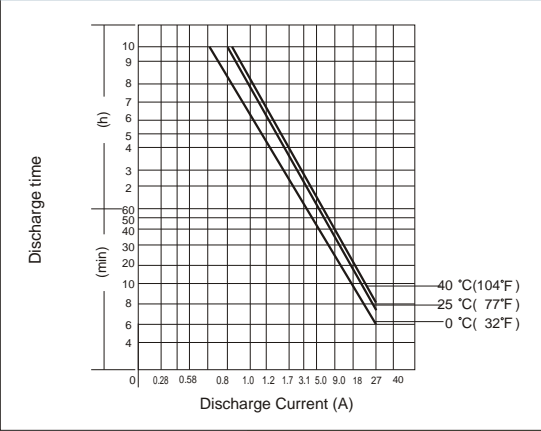
DJW4-9.0(4V9.0AH)



Physical Specification

Nominal Voltage		4V	4V
Nominal Capacity (20HR)		9.0AH(S)	9.0AH
Dimension	Length	122±1mm (4.8 inches)	102±1mm (4.01 inches)
	Width	48±1mm (1.89 inches)	44±1mm (1.73 inches)
	Container Height	145±1mm (5.71 inches)	95±1mm (3.74 inches)
	Total Height (with Cover)	157±1mm (6.18 inches)	101±1mm (3.97 inches)
Weight		Approx 1.2 kg (2.65lbs)	Approx 1.12 kg (2.47lbs)
Standard Terminal		T2/T1(standard)	T2/T1

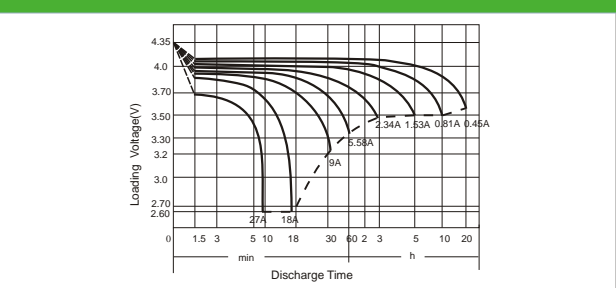
Discharging Current & Discharge Duration Time



Electrical Specification

Rated Capacity	20 hour rate (450mA)	9.0AH	Constant-Voltage Charge	Cycle	Initial Charging Current less than 2.7A. Voltage 4.80V~ 5.00V at 25°C (77°F) Temp. Coefficient -10mV/C
	10 hour rate (810mA)	8.1AH			
5 hour rate (1.53)	7.65AH	Capacity affected by Temperature	40°C (104F) 103% 25°C (77F) 100% 0°C (32F) 86%		
1 hour rate (5.58 A)	5.58AH				
15minute rate (17.64 A)	4.4AH				

Discharge Characteristics (25°C, 77°F)



Constant Current (Amp) and Constant Power (Watt) Discharge Table (25°C, 77°F)

Time(minute) Final voltage/Cell	Amp/Watt/Cell											
	5	10	15	20	30	45	60	120	180	300	600	1200
A	1.3	1.3	1.3	1.3	1.6	1.6	1.67	1.7	1.75	1.75	1.75	1.8
W	36.00	25.65	17.64	14.40	10.35	7.20	5.58	3.15	2.30	1.53	0.81	0.45
	64.44	48.24	33.57	28.17	20.34	14.31	11.07	6.26	4.56	3.06	1.62	0.90