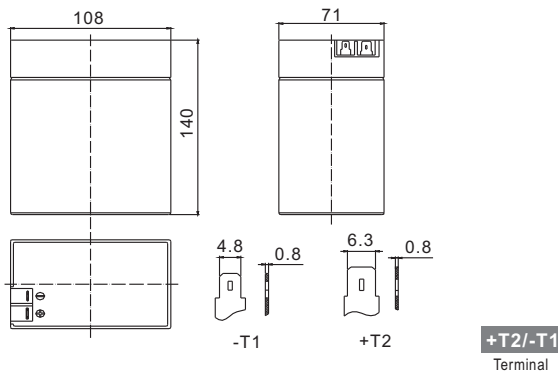


# Standard Series FP6140 6V14Ah

**FirstPower®**

## Dimension(mm)



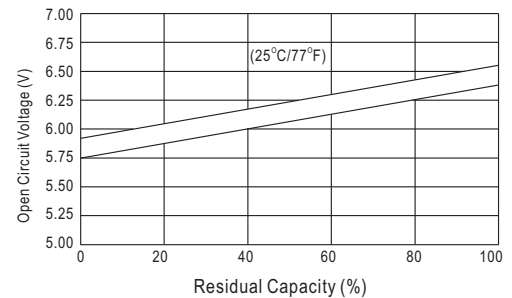
## Specification

Nominal Voltage	6 V	
Capacity(20HR, 25°C)	14Ah	
Dimension	Length	108mm (4.25inch)
	Width	71mm (2.80inch)
	Height	140mm (5.51inch)
	Total Height	140mm (5.51inch)
Approx. Weight	2.35kg (5.18lbs)	

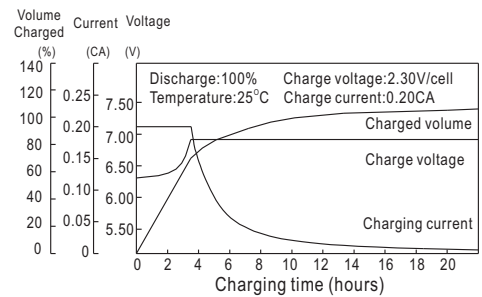
## Characteristics

Capacity 20°C (68□) To 1.70V/Cell	20 hour rate	14Ah
	10 hour rate	13.6Ah
	5 hour rate	12.5Ah
	1 hour rate	9.41Ah
	15 min rate	/
Internal resistance(Fully charged, 25°C)	Approx. 12mΩ	
Capacity affected by temperature (20HR)	40°C	102%
	25°C	100%
	0°C	85%
	-15°C	65%
Self-discharge (25°C)	3 month	Remaining Capacity: 91%
	6 month	Remaining Capacity: 82%
	12 month	Remaining Capacity: 65%
Nominal operating temperature	25°C ±3°C(77°F ±5°F)	
Operating temperature range	-15°C~50°C(5°F~122°F)	
Float charging voltage(25°C)	6.80 to 6.90V	
Cyclic charging voltage(25°C)	7.25 to 7.45V	
Maximum charging current	4.2A	
Terminal material	Copper	
Maximum discharge current	210A(5 Sec.)	

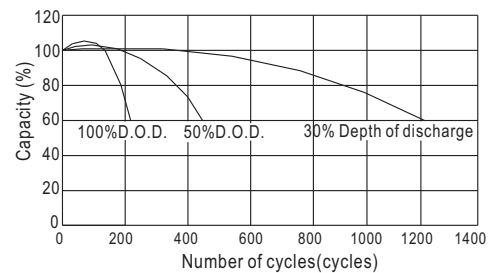
## The Relationship for Open Circuit Voltage and Residual Capacity (25°C)



## Charging Characteristics(25°C)



## Cycle Life(25°C)



## Constant Current Discharge Characteristics (A, 25°C)

F.V/TIME	5min	10min	15min	30min	60min	3h	5h	10h	20h
4.80V	--	--	--	--	9.80	3.65	2.54	1.37	0.71
5.10V	--	--	--	--	9.41	3.60	2.50	1.36	0.70
5.40V	--	--	--	--	8.94	3.53	2.45	1.35	0.70

## Constant Power Discharge Characteristics (Watt, 25°C)

5min	10min	15min	30min	60min	3h	5h	10h	20h
--	--	--	--	56.7	21.7	15.1	8.22	4.26
--	--	--	--	54.5	21.4	14.9	8.15	4.23
--	--	--	--	51.7	21.0	14.6	8.15	4.20