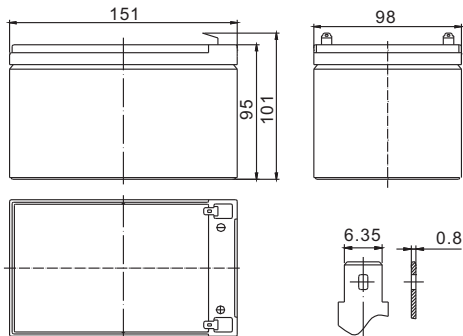


Standard Series FP12100 12V10Ah

FirstPower®

Dimension



T2
Terminal



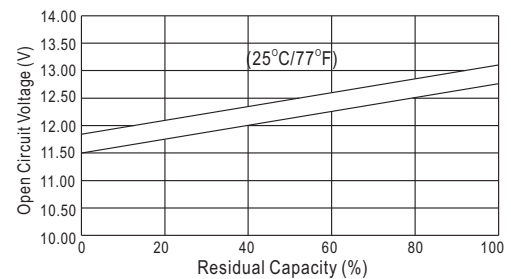
Specification

Nominal Voltage	12 V	
Capacity(20HR, 25°C)	10Ah	
Dimension	Length	151mm (5.94inch)
	Width	98mm (3.86inch)
	Height	95mm (3.74inch)
	Total Height	101mm (3.98inch)
Approx. Weight	3.50kg (7.72lbs)	

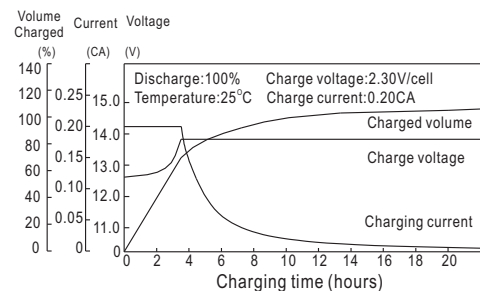
Characteristics

Capacity 20°C (68°F) To 1.70V/Cell	20 hour rate	10Ah
	10 hour rate	9.6Ah
	5 hour rate	8.75Ah
	1 hour rate	6.43Ah
	15 min rate	4.8Ah
Internal resistance(Fully charged, 25°C)	Approx. 22m Ω	
Capacity affected by temperature (20HR)	40°C	102%
	25°C	100%
	0°C	85%
	-15°C	65%
Self-discharge (25°C)	3 month	Remaining Capacity: 91%
	6 month	Remaining Capacity: 82%
	12 month	Remaining Capacity: 65%
Nominal operating temperature	25°C ± 3°C (77°F ± 5°F)	
Operating temperature range	-15°C ~ 50°C (5°F ~ 122°F)	
Float charging voltage(25°C)	13.60 to 13.80V	
Cyclic charging voltage(25°C)	14.50 to 14.90V	
Maximum charging current	3A	
Terminal material	Copper	
Maximum discharge current	150A(5 Sec.)	

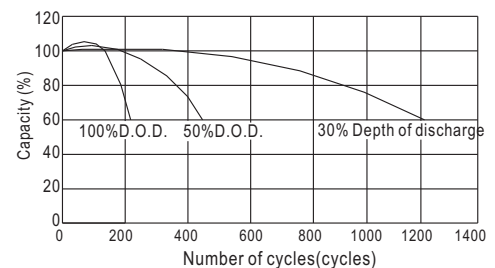
The Relationship for Open Circuit Voltage and Residual Capacity (25°C)



Charging Characteristics(25°C)



Cycle Life(25°C)



Constant Current Discharge Characteristics (A, 25°C)

F.V/TIME	5min	10min	15min	30min	60min	3h	5h	10h	20h
9.60V	40.0	26.0	20.0	11.5	6.70	2.64	1.78	0.96	0.51
10.2V	38.0	24.7	19.2	11.0	6.43	2.60	1.75	0.96	0.50
10.8V	35.7	23.2	18.2	10.5	6.11	2.55	1.72	0.95	0.50

Constant Power Discharge Characteristics (Watt, 25°C)

5min	10min	15min	30min	60min	3h	5h	10h	20h
446	293	228	132	77.6	31.4	21.2	11.6	6.09
424	279	219	127	74.5	30.9	20.9	11.5	6.04
399	262	208	120	70.8	30.3	20.5	11.5	6.00