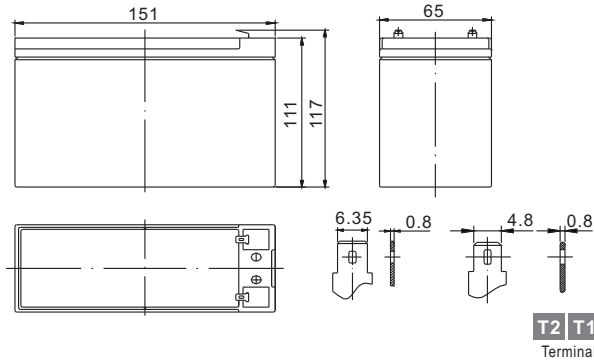


Standard Series FP12100A 12V10Ah

FirstPower®

Dimension



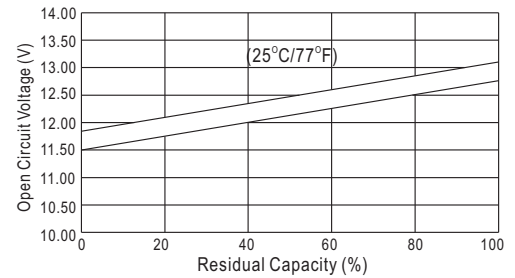
Specification

Nominal Voltage		12 V
Capacity(20HR, 25°C)		10Ah
Dimension	Length	151mm (5.94inch)
	Width	65mm (2.56inch)
	Height	111mm (4.37inch)
	Total Height	117mm (4.61inch)
Approx. Weight		2.85kg (6.28lbs)

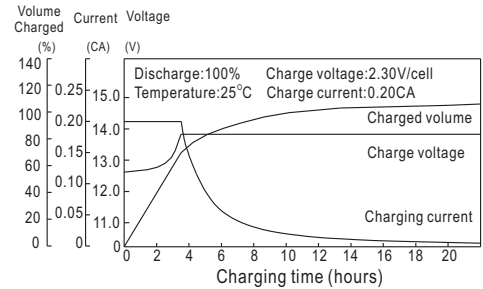
Characteristics

Capacity 20°C (68°F) To 1.70V/Cell	20 hour rate	10Ah
	10 hour rate	9.0Ah
	5 hour rate	8.20Ah
	1 hour rate	6.14Ah
	15 min rate	5.0Ah
Internal resistance(Fully charged, 25°C)		Approx. 22m Ω
Capacity affected by temperature (20HR)	40°C	102%
	25°C	100%
	0°C	85%
	-15°C	65%
Self-discharge (25°C)	3 month	Remaining Capacity: 91%
	6 month	Remaining Capacity: 82%
	12 month	Remaining Capacity: 65%
Nominal operating temperature		25°C ±3°C(77°F ±5°F)
Operating temperature range		-15°C~50°C(5°F~122°F)
Float charging voltage(25°C)		13.60 to 13.80V
Cyclic charging voltage(25°C)		14.50 to 14.90V
Maximum charging current		3A
Terminal material		Copper
Maximum discharge current		150A(5 Sec.)

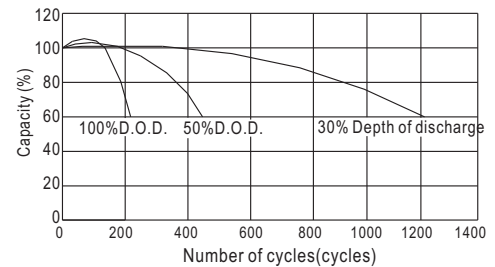
The Relationship for Open Circuit Voltage and Residual Capacity (25°C)



Charging Characteristics(25°C)



Cycle Life(25°C)



Constant Current Discharge Characteristics (A, 25°C)

F.V/TIME	5min	10min	15min	30min	60min	3h	5h	10h	20h
9.60V	42.0	28.2	20.8	11.7	6.40	2.44	1.66	0.91	0.50
10.2V	39.9	26.8	20.0	11.2	6.14	2.40	1.64	0.90	0.50
10.8V	37.5	25.2	19.0	10.5	5.83	2.35	1.61	0.88	0.49

Constant Power Discharge Characteristics (Watt, 25°C)

5min	10min	15min	30min	60min	3h	5h	10h	20h
469	318	237	134	74.1	29.0	19.8	10.9	6.00
445	302	228	128	71.1	28.5	19.6	10.8	6.00
419	284	217	120	67.5	27.9	19.2	10.6	5.88