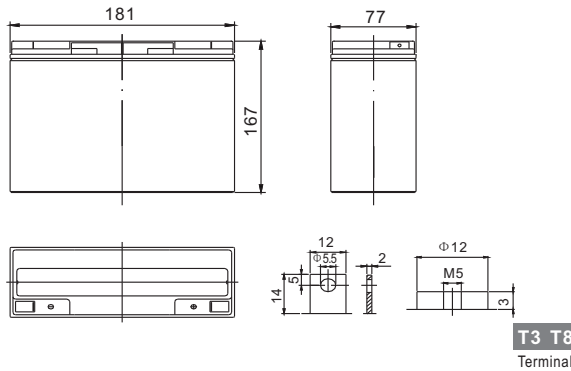


Standard Series FP12150 12V15Ah

FirstPower®

Dimension(mm)



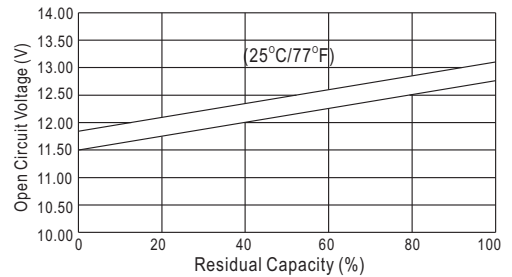
Specification

Nominal Voltage		12 V
Capacity(20HR, 25°C)		15 Ah
Dimension	Length	181mm (7.13inch)
	Width	77mm (3.03inch)
	Height	167mm (6.57inch)
	Total Height(T3/T8)	167mm(6.57inch)/167mm(6.57inch)
Approx. Weight		5.0kg (11.0lbs)

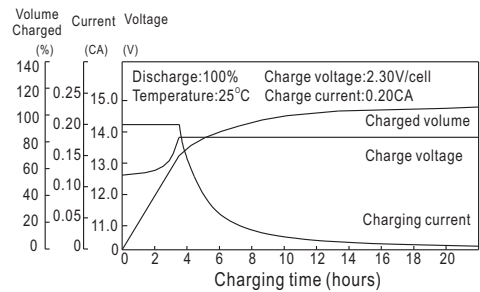
Characteristics

Capacity 20°C (68□) To 1.70V/Cell	20 hour rate	15Ah
	10 hour rate	13.9Ah
	5 hour rate	12.75Ah
	1 hour rate	9.36Ah
	15 min rate	6.85Ah
Internal resistance(Fully charged, 25°C)		Approx. 18mΩ
Capacity affected by temperature (20HR)	40°C	102%
	25°C	100%
	0°C	85%
	-15°C	65%
Self-discharge (25°C)	3 month	Remaining Capacity: 91%
	6 month	Remaining Capacity: 82%
	12 month	Remaining Capacity: 65%
Nominal operating temperature		25°C ±3°C(77°F ±5°F)
Operating temperature range		-15°C~50°C(5°F~122°F)
Float charging voltage(25°C)		13.60 to 13.80V
Cyclic charging voltage(25°C)		14.50 to 14.90V
Maximum charging current		4.5A
Terminal material		Copper
Maximum discharge current		225A(5 Sec.)

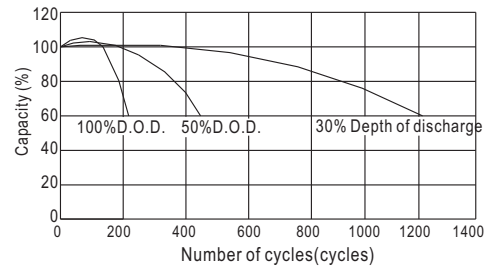
The Relationship for Open Circuit Voltage and Residual Capacity (25°C)



Charging Characteristics(25°C)



Cycle Life(25°C)



Constant Current Discharge Characteristics (A, 25°C)

F.V/TIME	5min	10min	15min	30min	60min	3h	5h	10h	20h
9.60V	57.0	36.0	28.5	16.5	9.75	3.81	2.59	1.40	0.76
10.2V	54.2	34.2	27.4	15.8	9.36	3.75	2.55	1.39	0.75
10.8V	50.9	32.1	26.0	15.0	8.89	3.68	2.50	1.38	0.75

Constant Power Discharge Characteristics (Watt, 25°C)

5min	10min	15min	30min	60min	3h	5h	10h	20h
636	406	325	189	113	45.2	30.9	16.8	9.14
604	386	312	182	108	44.6	30.4	16.7	9.05
568	363	296	172	103	43.7	29.8	16.7	9.00