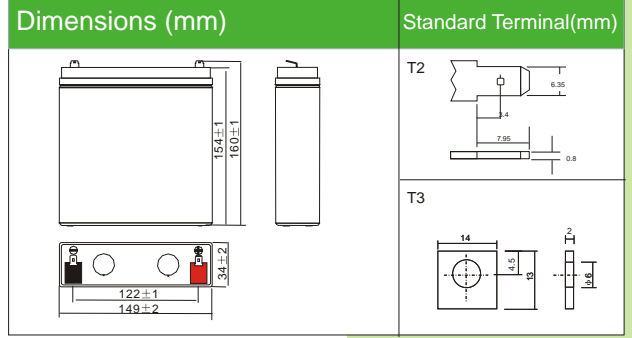
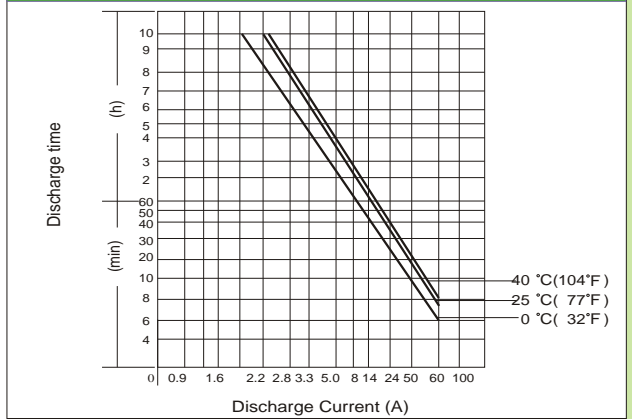




DJW4-20(4V25AH)



Discharging Current & Discharge Duration Time



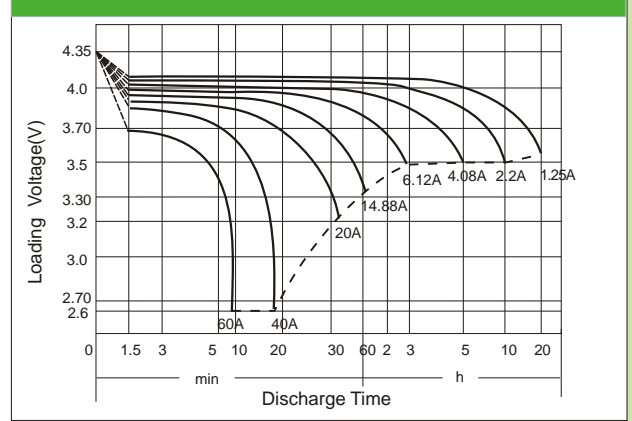
Physical Specification

Nominal Voltage		4V
Nominal Capacity (20HR)		25AH
Dimension	Length	149 ± 1mm (5.87 inches)
	Width	43 ± 1mm (1.69 inches)
	Container Height	154 ± 1mm (6.06 inches)
	Total Height (with Terminal)	160 ± 1mm (6.30 inches)
Weight		Approx 2.55kg (5.62lbs)
Standard Terminal		T2/T3(standard)

Electrical Specification

Rated Capacity	20 hour rate (1.25A)	25AH	Constant-Voltage	Cycle	Initial Charging Current less than 6.0A. Voltage 4.8V~ 5.0V at 25°C (77°F) Temp. Coefficient -10mV/°C
	10 hour rate (2.2A)	22AH			
	5 hour rate (4.08A)	20.4AH			
	1 hour rate (14.88 A)	14.88AH			
	15minute rate (47 A)	11.73AH			
Capacity affected by Temperature	40°C (104F)	103%	Charge	Standby	No limit on Initial Charging Current Voltage 4.5V~4.6V at 25°C (77°F) Temp. Coefficient -6mV/°C
	25°C (77F)	100%			
	0°C (32F)	86%			

Discharge Characteristics (25°C, 77°F)



Constant Current (Amp) and Constant Power (Watt) Discharge Table (25°C, 77°F)

Time(minute) Final voltage/Cell	5	10	15	20	30	45	60	120	180	300	600	1200
Amp/Watt/Cell	1.3	1.3	1.3	1.3	1.6	1.6	1.67	1.7	1.75	1.75	1.75	1.8
A	96.00	68.40	47.04	38.40	27.60	19.20	14.88	8.40	6.12	4.08	2.20	1.25
W	171.84	128.64	89.52	75.12	54.24	38.16	29.52	16.70	12.17	8.16	4.40	2.41