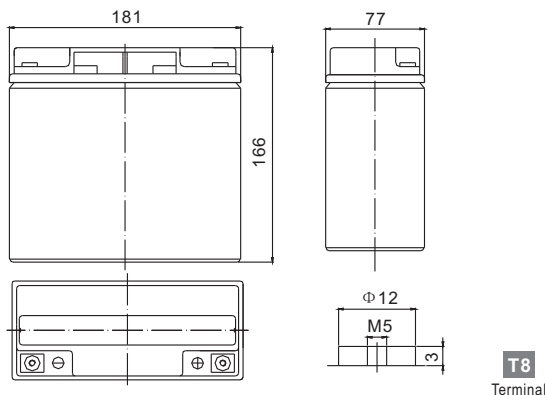


# Standard Series FP12220 12V22Ah

**FirstPower®**

## Dimension(mm)



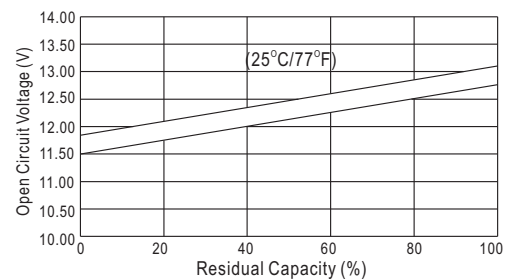
## Specification

Nominal Voltage		12 V
Capacity(20HR, 25°C)		22Ah
Dimension	Length	181mm (7.13inch)
	Width	77mm (3.03inch)
	Height	166mm (6.54inch)
	Total Height	166mm (6.54inch)
Approx. Weight		6.3kg (13.9lbs)

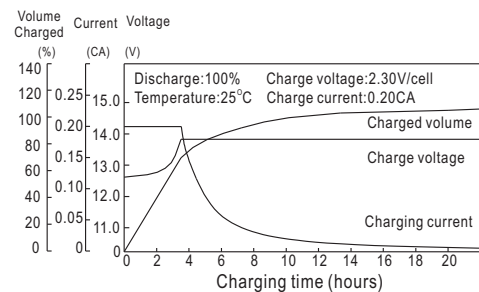
## Characteristics

Capacity 20°C (68□) To 1.70V/Cell	20 hour rate	22Ah
	10 hour rate	20.4Ah
	5 hour rate	18.7Ah
	1 hour rate	13.7Ah
	15 min rate	10.0Ah
Internal resistance(Fully charged, 25°C)		Approx. 14mΩ
Capacity affected by temperature (20HR)	40°C	102%
	25°C	100%
	0°C	85%
	-15°C	65%
Self-discharge (25°C)	3 month	Remaining Capacity: 91%
	6 month	Remaining Capacity: 82%
	12 month	Remaining Capacity: 65%
Nominal operating temperature		25°C ±3°C(77°F ±5°F)
Operating temperature range		-15°C~50°C(5°F~122°F)
Float charging voltage(25°C)		13.60 to 13.80V
Cyclic charging voltage(25°C)		14.50 to 14.90V
Maximum charging current		6.6A
Terminal material		Copper
Maximum discharge current		330A(5 Sec.)

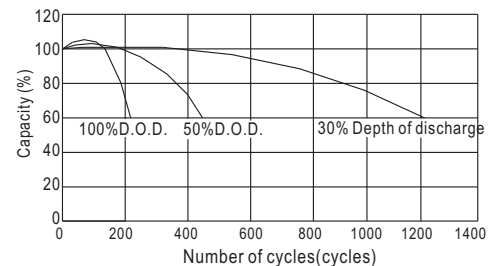
## The Relationship for Open Circuit Voltage and Residual Capacity (25°C)



## Charging Characteristics(25°C)



## Cycle Life(25°C)



## Constant Current Discharge Characteristics (A, 25°C)

F.V/TIME	5min	10min	15min	30min	60min	3h	5h	10h	20h
9.60V	83.6	52.8	41.8	24.2	14.3	5.58	3.80	2.05	1.12
10.2V	79.4	50.2	40.1	23.2	13.7	5.50	3.74	2.04	1.11
10.8V	74.7	47.2	38.1	22.1	13.0	5.39	3.67	2.02	1.10

## Constant Power Discharge Characteristics (Watt, 25°C)

5min	10min	15min	30min	60min	3h	5h	10h	20h
933	596	477	277	166	66.3	45.3	24.7	13.4
886	566	457	266	159	65.3	44.7	24.4	13.3
833	532	435	253	151	64.0	43.8	24.4	13.2