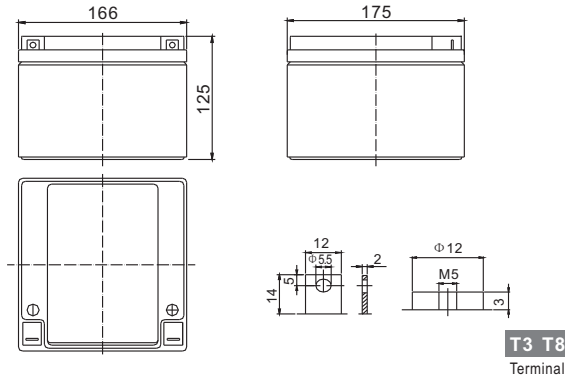


# Standard Series FP12240 12V24Ah

**FirstPower®**

## Dimension(mm)



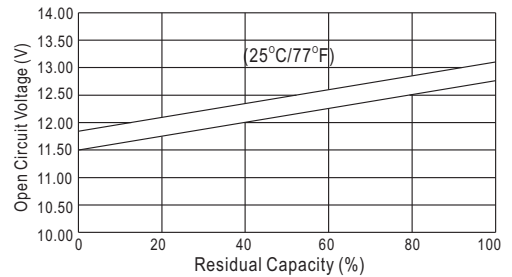
## Specification

Nominal Voltage		12 V
Capacity(20HR, 25°C)		24Ah
Dimension	Length	166mm (6.54inch)
	Width	175mm (6.89inch)
	Height	125mm (4.92inch)
	Total Height(T3/T8)	125mm(4.92inch)/125mm(4.92inch)
Approx. Weight		8.0kg (17.6lbs)

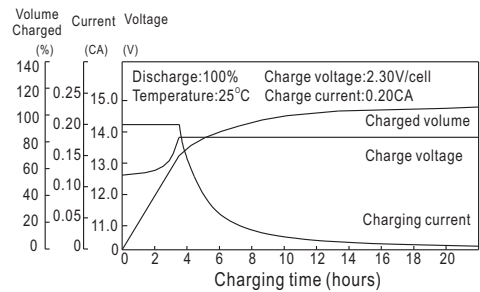
## Characteristics

Capacity 20°C (68□) To 1.70V/Cell	20 hour rate	24Ah
	10 hour rate	21.7Ah
	5 hour rate	19.2Ah
	1 hour rate	13.8Ah
	15 min rate	10.0Ah
Internal resistance(Fully charged, 25°C)		Approx. 12mΩ
Capacity affected by temperature (20HR)	40°C	102%
	25°C	100%
	0°C	85%
	-15°C	65%
Self-discharge (25°C)	3 month	Remaining Capacity: 91%
	6 month	Remaining Capacity: 82%
	12 month	Remaining Capacity: 65%
Nominal operating temperature		25°C ±3°C(77°F ±5°F)
Operating temperature range		-15°C~50°C(5°F~122°F)
Float charging voltage(25°C)		13.60 to 13.80V
Cyclic charging voltage(25°C)		14.50 to 14.90V
Maximum charging current		7.9A
Terminal material		Copper
Maximum discharge current		360A(5 Sec.)

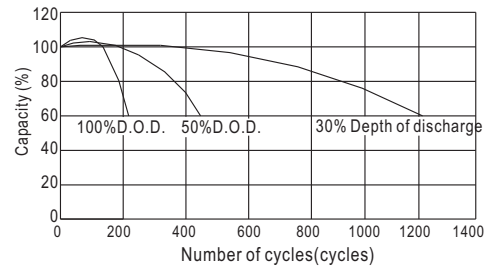
## The Relationship for Open Circuit Voltage and Residual Capacity (25°C)



## Charging Characteristics(25°C)



## Cycle Life(25°C)



## Constant Current Discharge Characteristics (A, 25°C)

F.V/TIME	5min	10min	15min	30min	60min	3h	5h	10h	20h
9.60V	84.0	52.8	42.0	25.2	14.4	5.85	3.90	2.19	1.22
10.2V	79.8	50.2	40.3	24.2	13.8	5.76	3.84	2.17	1.21
10.8V	75.0	47.2	38.3	23.0	13.1	5.64	3.76	2.16	1.20

## Constant Power Discharge Characteristics (Watt, 25°C)

5min	10min	15min	30min	60min	3h	5h	10h	20h
937	596	479	289	167	69.5	46.5	26.3	14.6
891	566	460	277	160	68.4	45.8	26.1	14.5
837	532	437	263	152	67.1	44.9	26.1	14.4