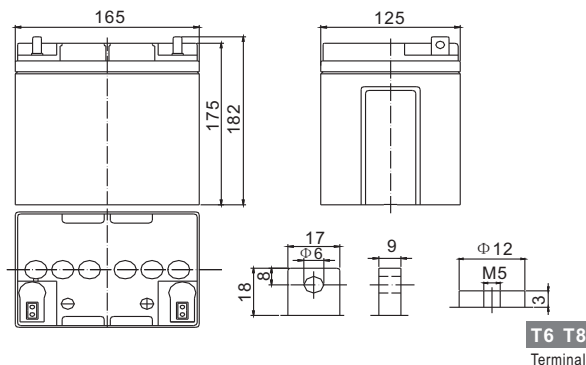


# Standard Series FP12240A 12V24Ah

**FirstPower®**

## Dimension(mm)



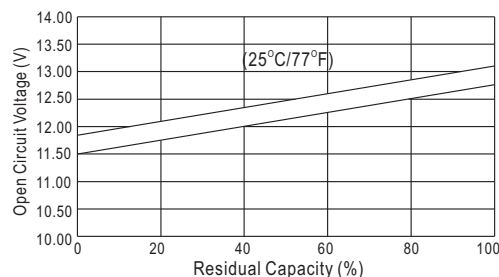
## Specification

Nominal Voltage		12 V
Capacity(20HR, 25°C)		24Ah
Dimension	Length	165mm (6.50inch)
	Width	125mm (4.92inch)
	Height	175mm (6.89inch)
	Total Height(T6/T8)	182mm (7.17inch)/175mm(6.89inch)
Approx. Weight		8.1kg (17.8lbs)

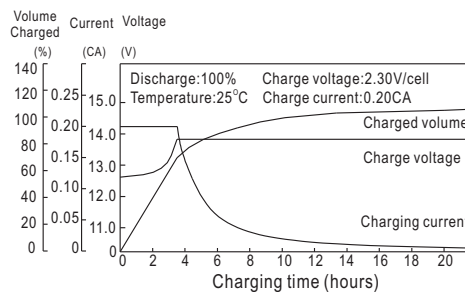
## Characteristics

Capacity 20°C (68□) To 1.70V/Cell	20 hour rate	24Ah
	10 hour rate	22Ah
	5 hour rate	20.4Ah
	1 hour rate	15Ah
	15 min rate	11Ah
Internal resistance(Fully charged, 25°C)		Approx. 12mΩ
Capacity affected by temperature (20HR)	40°C	102%
	25°C	100%
	0°C	85%
	-15°C	65%
Self-discharge (25°C)	3 month	Remaining Capacity: 91%
	6 month	Remaining Capacity: 82%
	12 month	Remaining Capacity: 65%
Nominal operating temperature		25°C ±3°C(77°F ±5°F)
Operating temperature range		-15°C~50°C(5°F~122°F)
Float charging voltage(25°C)		13.60 to 13.80V
Cyclic charging voltage(25°C)		14.50 to 14.90V
Maximum charging current		7.2A
Terminal material		Lead
Maximum discharge current		360A(5 Sec.)

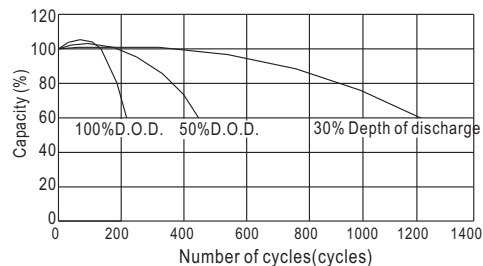
## The Relationship for Open Circuit Voltage and Residual Capacity (25°C)



## Charging Characteristics(25°C)



## Cycle Life(25°C)



## Constant Current Discharge Characteristics (A, 25°C)

F.V/TIME	5min	10min	15min	30min	60min	3h	5h	10h	20h
9.60V	91.2	57.6	45.6	26.4	15.6	6.09	4.14	2.24	1.22
10.2V	86.6	54.7	43.8	25.3	15.0	6.00	4.08	2.22	1.21
10.8V	81.4	51.4	41.6	24.1	14.2	5.88	4.00	2.21	1.20

## Constant Power Discharge Characteristics (Watt, 25°C)

5min	10min	15min	30min	60min	3h	5h	10h	20h
1018	650	520	303	181	72.3	49.4	26.9	14.6
967	617	499	290	173	71.3	48.7	26.7	14.5
909	580	474	276	165	69.9	47.7	26.7	14.4