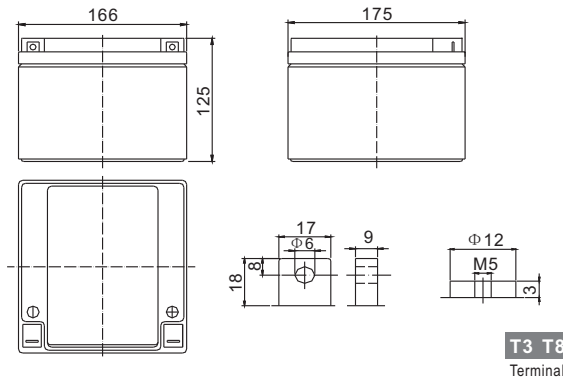


Standard Series FP12280 12V28Ah

FirstPower®

Dimension(mm)



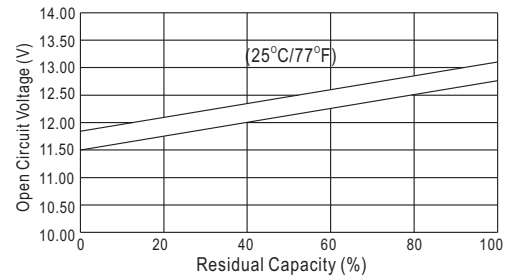
Specification

Nominal Voltage		12 V
Capacity(20HR, 25°C)		28Ah
Dimension	Length	166mm (6.54inch)
	Width	175mm (6.89inch)
	Height	125mm (4.92inch)
	Total Height(T3/T8)	125mm(4.92inch)/125mm(4.92inch)
Approx. Weight		8.8kg (19.4lbs)

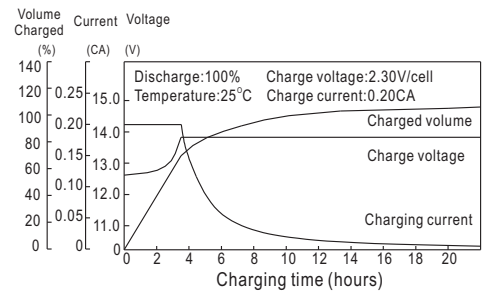
Characteristics

Capacity 20°C (68°F) To 1.70V/Cell	20 hour rate	28Ah
	10 hour rate	26.2Ah
	5 hour rate	24Ah
	1 hour rate	18.2Ah
	15 min rate	12Ah
Internal resistance(Fully charged, 25°C)		Approx. 10mΩ
Capacity affected by temperature (20HR)	40°C	102%
	25°C	100%
	0°C	85%
	-15°C	65%
Self-discharge (25°C)	3 month	Remaining Capacity: 91%
	6 month	Remaining Capacity: 82%
	12 month	Remaining Capacity: 65%
Nominal operating temperature		25°C ±3°C(77°F ±5°F)
Operating temperature range		-15°C~50°C(5°F~122°F)
Float charging voltage(25°C)		13.60 to 13.80V
Cyclic charging voltage(25°C)		14.50 to 14.90V
Maximum charging current		8.4A
Terminal material		Copper
Maximum discharge current		420A(5 Sec.)

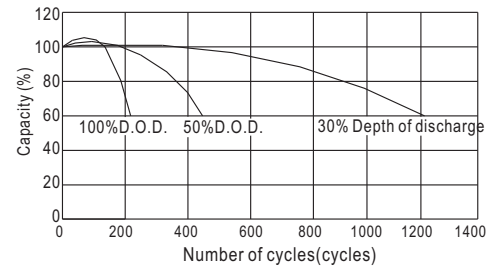
The Relationship for Open Circuit Voltage and Residual Capacity (25°C)



Charging Characteristics(25°C)



Cycle Life(25°C)



Constant Current Discharge Characteristics (A, 25°C)

F.V/TIME	5min	10min	15min	30min	60min	3h	5h	10h	20h
9.60V	108	68.0	50.0	29.5	19.0	7.11	4.87	2.64	1.42
10.2V	103	64.6	48.0	28.3	18.2	7.00	4.80	2.62	1.41
10.8V	96.4	60.7	45.6	26.9	17.3	6.86	4.70	2.60	1.40

Constant Power Discharge Characteristics (Watt, 25°C)

5min	10min	15min	30min	60min	3h	5h	10h	20h
1205	767	570	338	220	84.4	58.2	31.7	17.1
1145	729	547	325	211	83.2	57.3	31.4	16.9
1076	685	520	308	201	81.5	56.2	31.4	16.8