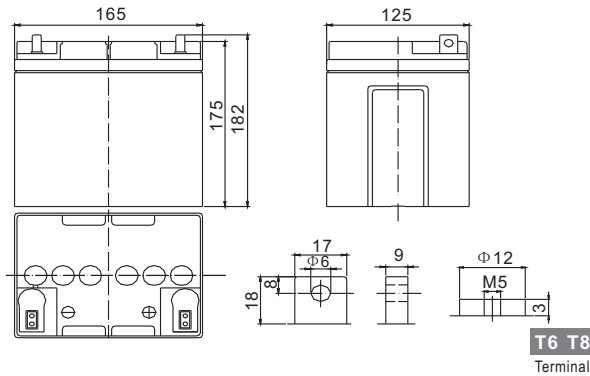


Standard Series FP12280A 12V28Ah

FirstPower®

Dimension(mm)



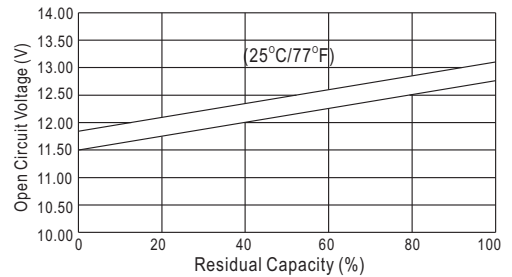
Specification

Nominal Voltage		12 V
Capacity(20HR, 25°C)		28Ah
Dimension	Length	165mm (6.50inch)
	Width	125mm (4.92inch)
	Height	175mm (6.89inch)
	Total Height(T6/T8)	182mm (7.17inch)/175mm(6.89inch)
Approx. Weight		9.5kg (20.9lbs)

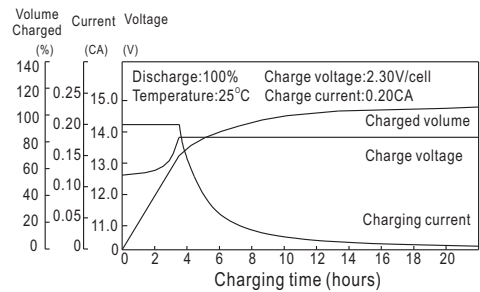
Characteristics

Capacity 20°C (68□) To 1.70V/Cell	20 hour rate	28Ah
	10 hour rate	27.2Ah
	5 hour rate	24.3Ah
	1 hour rate	18.7Ah
	15 min rate	12.5Ah
Internal resistance(Fully charged, 25°C)		Approx. 11mΩ
Capacity affected by temperature (20HR)	40°C	102%
	25°C	100%
	0°C	85%
	-15°C	65%
Self-discharge (25°C)	3 month	Remaining Capacity: 91%
	6 month	Remaining Capacity: 82%
	12 month	Remaining Capacity: 65%
Nominal operating temperature		25°C ±3°C(77°F ±5°F)
Operating temperature range		-15°C ~50°C (5°F ~122°F)
Float charging voltage(25°C)		13.60 to 13.80V
Cyclic charging voltage(25°C)		14.50 to 14.90V
Maximum charging current		8.4A
Terminal material		Lead
Maximum discharge current		420A(5 Sec.)

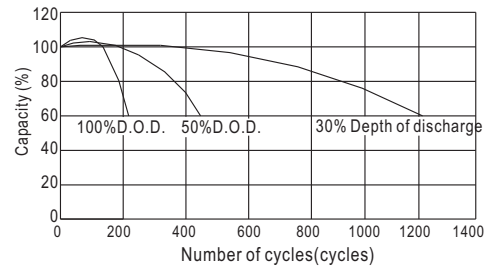
The Relationship for Open Circuit Voltage and Residual Capacity (25°C)



Charging Characteristics(25°C)



Cycle Life(25°C)



Constant Current Discharge Characteristics (A, 25°C)

F.V/TIME	5min	10min	15min	30min	60min	3h	5h	10h	20h
9.60V	112	70	52	31	19.5	7.21	4.92	2.74	1.42
10.2V	106	66.5	49.9	29.8	18.7	7.1	4.85	2.72	1.41
10.8V	100	62.5	47.4	28.3	17.8	6.96	4.75	2.7	1.4

Constant Power Discharge Characteristics (Watt, 25°C)

5min	10min	15min	30min	60min	3h	5h	10h	20h
1250	790	593	355	226	85.6	58.8	32.9	17.1
1187	750	569	341	217	84.3	57.9	32.6	16.9
1116	705	541	324	206	82.7	56.8	32.6	16.8