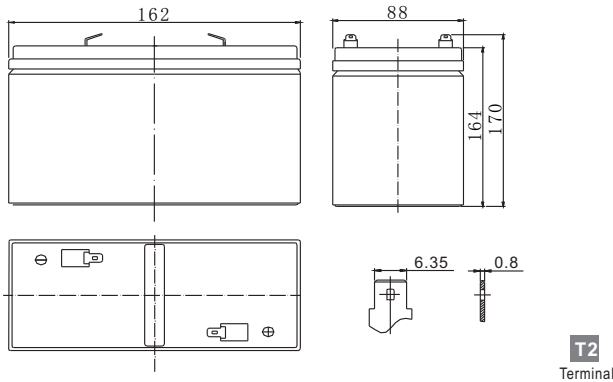


# Standard Series LFP636 6V36Ah

**FirstPower®**

## Dimension



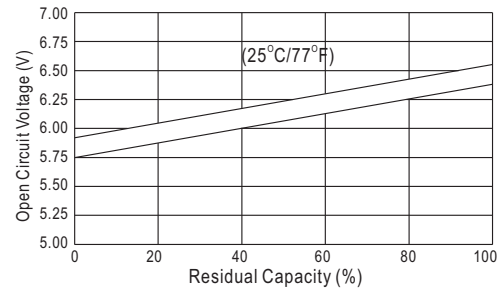
## Specification

Nominal Voltage		6 V
Capacity(10HR, 25°C)		36 Ah
Dimension	Length	162mm (6.4inch)
	Width	88mm (3.5inch)
	Height	164mm (6.5inch)
	Total Height	170mm (6.7inch)
Approx. Weight		5.5kg (12.1lbs)

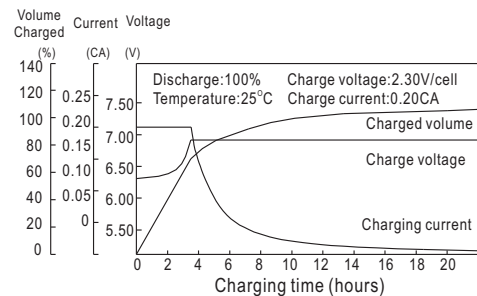
## Characteristics

Capacity 20°C (68°F) To 1.70V/Cell	20 hour rate	38Ah
	10 hour rate	36Ah
	5 hour rate	32.4Ah
	1 hour rate	21.8Ah
	15 min rate	/
Internal resistance(Fully charged, 25°C)		Approx.6.5mΩ
Capacity affected by temperature (10HR)	40°C	102%
	25°C	100%
	0°C	85%
	-15°C	65%
Self-discharge (25°C)	3 month	Remaining Capacity: 91%
	6 month	Remaining Capacity: 82%
	12 month	Remaining Capacity: 65%
Nominal operating temperature		25°C ± 3°C(77°F ± 5°F)
Operating temperature range		-15°C~50°C(5°F~122°F)
Float charging voltage(25°C)		6.75 to 6.90V
Cyclic charging voltage(25°C)		7.25 to 7.45V
Maximum charging current		10.8A
Terminal material		Copper
Maximum discharge current		210A(5 Sec.)

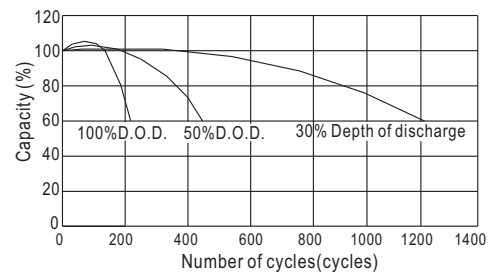
## The Relationship for Open Circuit Voltage and Residual Capacity (25°C)



## Charging Characteristics(25°C)



## Cycle Life(25°C)



## Constant Current Discharge Characteristics (A, 25°C)

F.V/TIME	5min	10min	15min	30min	60min	3h	5h	10h	20h
4.80V	--	--	--	--	22.7	9.32	6.58	3.65	1.92
5.10V	--	--	--	--	21.8	9.18	6.48	3.62	1.90
5.40V	--	--	--	--	20.7	9.00	6.35	3.60	1.89

## Constant Power Discharge Characteristics (Watt, 25°C)

	5min	10min	15min	30min	60min	3h	5h	10h	20h
	--	--	--	--	129	54.8	38.9	21.8	11.5
	--	--	--	--	124	54.0	38.3	21.6	11.4
	--	--	--	--	118	52.9	37.5	21.6	11.3