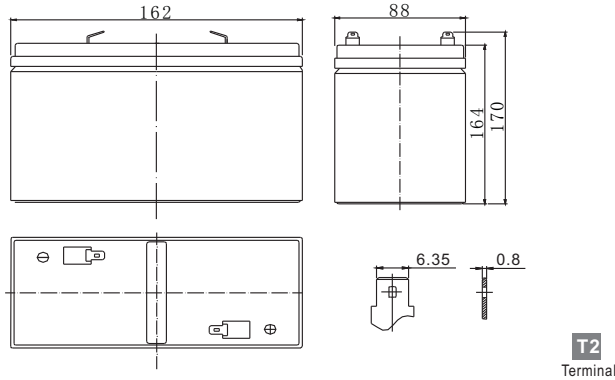


Standard Series LFP642 6V42Ah

FirstPower®

Dimension



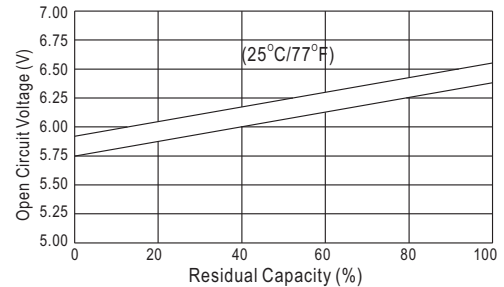
Specification

Nominal Voltage		6 V
Capacity(10HR, 25°C)		42 Ah
Dimension	Length	162mm (6.4inch)
	Width	88mm (3.5inch)
	Height	164mm (6.5inch)
	Total Height	170mm (6.7inch)
Approx. Weight		6.2kg (13.7lbs)

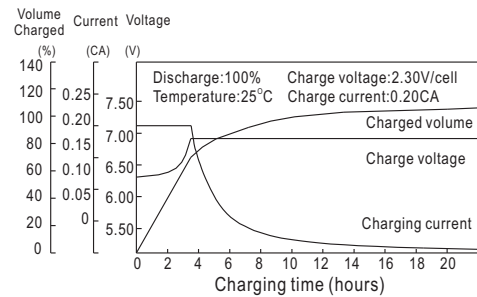
Characteristics

Capacity 20°C (68°F) To 1.70V/Cell	20 hour rate	44Ah
	10 hour rate	42Ah
	5 hour rate	38Ah
	1 hour rate	25.4Ah
	15 min rate	/
Internal resistance(Fully charged, 25°C)		Approx. 6.2m Ω
Capacity affected by temperature (10HR)	40°C	102%
	25°C	100%
	0°C	85%
	-15°C	65%
Self-discharge (25°C)	3 month	Remaining Capacity: 91%
	6 month	Remaining Capacity: 82%
	12 month	Remaining Capacity: 65%
Nominal operating temperature		25°C ±3°C (77°F ±5°F)
Operating temperature range		-15°C~50°C (5°F~122°F)
Float charging voltage(25°C)		6.75 to 6.90V
Cyclic charging voltage(25°C)		7.25 to 7.45V
Maximum charging current		12.6A
Terminal material		Copper
Maximum discharge current		210A(5 Sec.)

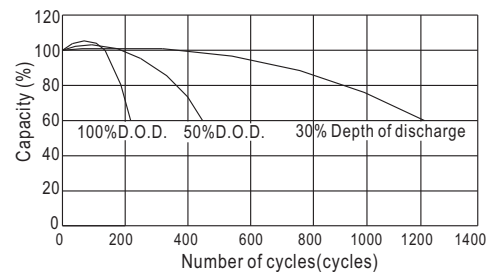
The Relationship for Open Circuit Voltage and Residual Capacity (25°C)



Charging Characteristics(25°C)



Cycle Life(25°C)



Constant Current Discharge Characteristics (A, 25°C)

F.V/TIME	5min	10min	15min	30min	60min	3h	5h	10h	20h
4.80V	--	--	--	--	26.5	10.9	7.67	4.26	2.24
5.10V	--	--	--	--	25.4	10.7	7.56	4.23	2.22
5.40V	--	--	--	--	24.1	10.5	7.41	4.20	2.21

Constant Power Discharge Characteristics (Watt, 25°C)

5min	10min	15min	30min	60min	3h	5h	10h	20h
--	--	--	--	151	63.9	45.3	25.5	13.4
--	--	--	--	145	63.0	44.7	25.2	13.3
--	--	--	--	138	61.7	43.8	25.2	13.2