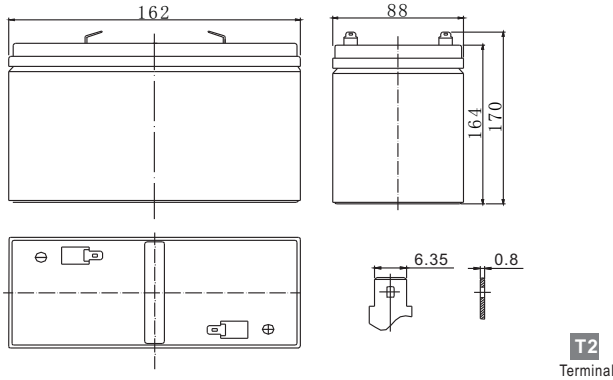


Standard Series LFP645 6V45Ah

FirstPower®

Dimension



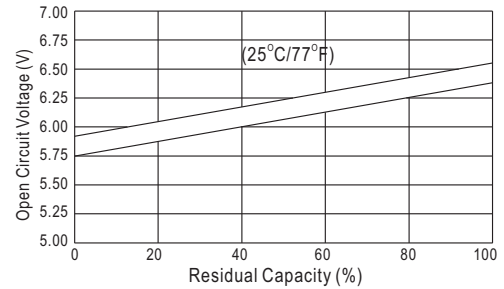
Specification

Nominal Voltage	6 V	
Capacity(10HR, 25°C)	45Ah	
Dimension	Length	162mm (6.4inch)
	Width	88mm (3.5inch)
	Height	164mm (6.5inch)
	Total Height	170mm (6.7inch)
Approx. Weight	6.8kg (15.0lbs)	

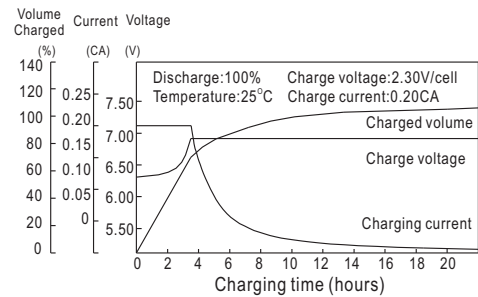
Characteristics

Capacity 20°C (68°F) To 1.70V/Cell	20 hour rate	47.6Ah
	10 hour rate	45Ah
	5 hour rate	40.5Ah
	1 hour rate	27.2Ah
	15 min rate	/
Internal resistance(Fully charged, 25°C)		Approx. 6m Ω
Capacity affected by temperature (10HR)	40°C	102%
	25°C	100%
	0°C	85%
	-15°C	65%
Self-discharge (25°C)	3 month	Remaining Capacity: 91%
	6 month	Remaining Capacity: 82%
	12 month	Remaining Capacity: 65%
Nominal operating temperature		25°C ± 3°C (77°F ± 5°F)
Operating temperature range		-15°C ~ 50°C (5°F ~ 122°F)
Float charging voltage(25°C)		6.75 to 6.90V
Cyclic charging voltage(25°C)		7.25 to 7.45V
Maximum charging current		13.5A
Terminal material		Copper
Maximum discharge current		210A(5 Sec.)

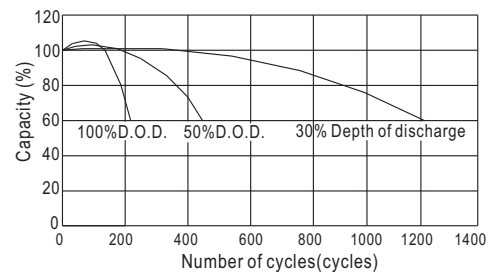
The Relationship for Open Circuit Voltage and Residual Capacity (25°C)



Charging Characteristics(25°C)



Cycle Life(25°C)



Constant Current Discharge Characteristics (A, 25°C)

F.V/TIME	5min	10min	15min	30min	60min	3h	5h	10h	20h
4.80V	--	--	--	--	28.4	11.6	8.22	4.57	2.40
5.10V	--	--	--	--	27.2	11.5	8.10	4.53	2.38
5.40V	--	--	--	--	25.9	11.2	7.94	4.50	2.36

Constant Power Discharge Characteristics (Watt, 25°C)

5min	10min	15min	30min	60min	3h	5h	10h	20h
--	--	--	--	162	68.5	48.6	27.3	14.4
--	--	--	--	155	67.5	47.9	27.0	14.3
--	--	--	--	147	66.1	46.9	27.0	14.2