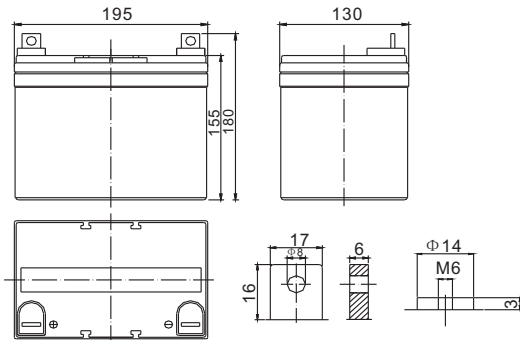


Standard Series

LFP1235 12V35Ah

FirstPower®

Dimension(mm)



T7 T9
Terminal



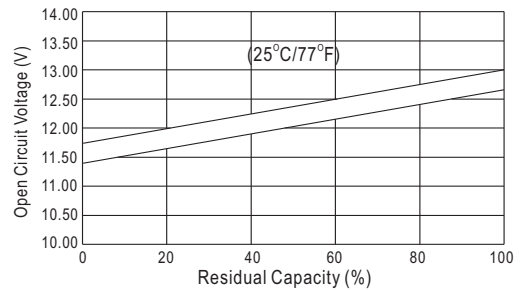
Specification

Nominal Voltage		12 V
Capacity(10HR, 25°C)		35 Ah
Dimension	Length	195mm (7.7inch)
	Width	130mm (5.1inch)
	Height	155mm (6.1inch)
	Total Height(T7/T9)	180mm (7.1inch)/166mm (6.7inch)
Approx. Weight		10.7kg (23.5lbs)

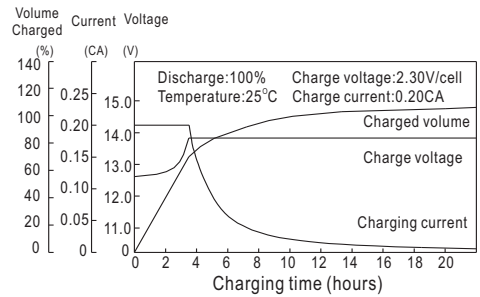
Characteristics

Capacity 20°C (68°F) To 1.70V/Cell	20 hour rate	35.6Ah
	10 hour rate	35Ah
	5 hour rate	31.5Ah
	1 hour rate	21.1Ah
	15 min rate	14.7Ah
Internal resistance(Fully charged, 25°C)		Approx. 9.7m Ω
Capacity affected by temperature (10HR)	40°C	102%
	25°C	100%
	0°C	85%
	-15°C	65%
Self-discharge (25°C)	3 month	Remaining Capacity: 91%
	6 month	Remaining Capacity: 82%
	12 month	Remaining Capacity: 65%
Nominal operating temperature		25°C ±3°C(77°F ±5°F)
Operating temperature range		-15°C~50°C(5°F~122°F)
Float charging voltage(25°C)		13.50 to 13.80V
Cyclic charging voltage(25°C)		14.50 to 14.90V
Maximum charging current		10.5A
Terminal material		Lead
Maximum discharge current		350A(5 Sec.)

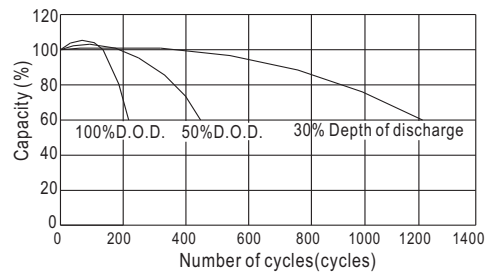
The Relationship for Open Circuit Voltage and Residual Capacity (25°C)



Charging Characteristics(25°C)



Cycle Life(25°C)



Constant Current Discharge Characteristics (A, 25°C)

F.V/TIME	5min	10min	15min	30min	60min	3h	5h	10h	20h
9.60V	116	74.0	61.0	36.0	22.0	8.93	6.39	3.55	1.80
10.2V	110	70.3	58.6	34.7	21.1	8.80	6.30	3.52	1.78
10.8V	104	66.1	55.6	32.8	20.1	8.62	6.17	3.50	1.77

Constant Power Discharge Characteristics (Watt, 25°C)

5min	10min	15min	30min	60min	3h	5h	10h	20h
1218	799	670	404	251	105	75.5	42.4	21.6
1157	759	643	388	241	103	74.5	42.0	21.4
1088	714	611	368	229	101	72.9	42.0	21.2