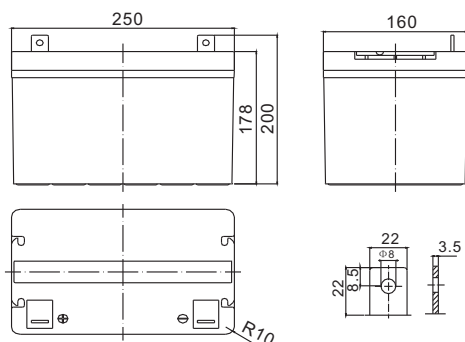


# Standard Series LFP1260B 12V60Ah

**FirstPower®**

## Dimension(mm)



**T5**  
Terminal



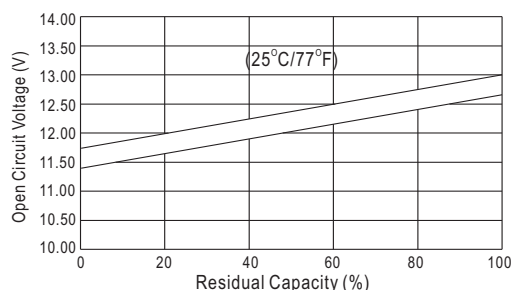
## Specification

Nominal Voltage		12 V
Capacity(10HR, 25°C)		60Ah
Dimension	Length	250mm (9.8inch)
	Width	160mm (6.3inch)
	Height	178mm (7.0inch)
	Total Height	200mm (7.9inch)
Approx. Weight		19.3kg (42.5lbs)

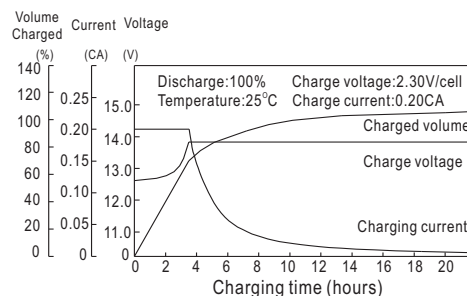
## Characteristics

Capacity 20°C (68□) To 1.70V/Cell	20 hour rate	62Ah
	10 hour rate	60Ah
	5 hour rate	54Ah
	1 hour rate	36.3Ah
	15 min rate	23.8Ah
Internal resistance(Fully charged, 25°C)		Approx.5.7m Ω
Capacity affected by temperature (10HR)	40°C	102%
	25°C	100%
	0°C	85%
	-15°C	65%
Self-discharge (25°C)	3 month	Remaining Capacity: 91%
	6 month	Remaining Capacity: 82%
	12 month	Remaining Capacity: 65%
Nominal operating temperature		25°C ±3°C(77°F ±5°F)
Operating temperature range		-15°C~50°C(5°F~122°F)
Float charging voltage(25°C)		13.50 to 13.80V
Cyclic charging voltage(25°C)		14.50 to 14.90V
Maximum charging current		18A
Terminal material		Copper
Maximum discharge current		600A(5 Sec.)

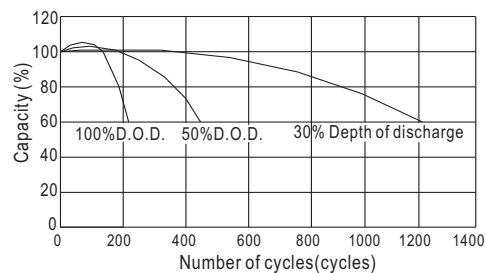
## The Relationship for Open Circuit Voltage and Residual Capacity (25°C)



## Charging Characteristics(25°C)



## Cycle Life(25°C)



## Constant Current Discharge Characteristics (A, 25°C)

F.V/TIME	5min	10min	15min	30min	60min	3h	5h	10h	20h
9.60V	189	126	99.0	62.4	37.8	15.5	11.0	6.09	3.20
10.2V	180	120	95.0	59.9	36.3	15.3	10.8	6.04	3.17
10.8V	169	113	90.3	56.9	34.5	15.0	10.6	6.00	3.15

## Constant Power Discharge Characteristics (Watt, 25°C)

5min	10min	15min	30min	60min	3h	5h	10h	20h
1985	1361	1087	700	431	183	130	72.7	38.4
1885	1293	1044	672	414	180	128	72.1	38.0
1772	1215	991	639	393	176	125	72.1	37.8