

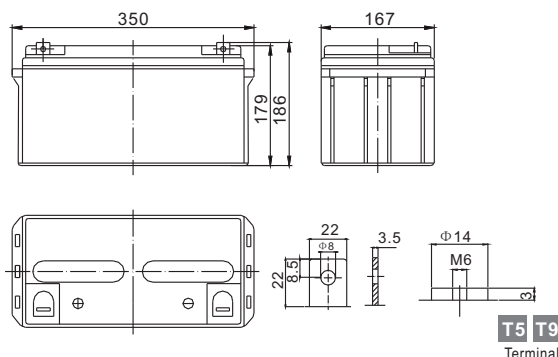
Standard Series

LFP1265

12V65Ah

FirstPower®

Dimension(mm)



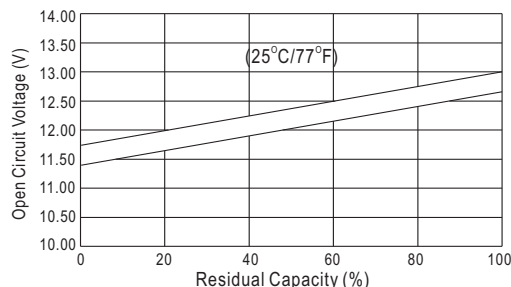
Specification

Nominal Voltage	12 V	
Capacity(10HR, 25°C)	65 Ah	
Dimension	Length	350mm (13.8inch)
	Width	167mm (6.6inch)
	Height	179mm (7.0inch)
	Total Height(T5/T9)	186mm (7.3inch)/179mm (7.1inch)
Approx. Weight	21.2 kg (46.6lbs)	

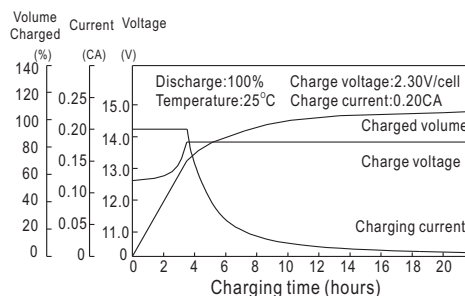
Characteristics

Capacity 20°C (68□) To 1.70V/Cell	20 hour rate	69Ah
	10 hour rate	65Ah
	5 hour rate	57.5Ah
	1 hour rate	39.4Ah
	15 min rate	26.5Ah
Internal resistance(Fully charged, 25°C)	Approx.6m Ω	
Capacity affected by temperature (10HR)	40°C	102%
	25°C	100%
	0°C	85%
	-15°C	65%
Self-discharge (25°C)	3 month	Remaining Capacity: 91%
	6 month	Remaining Capacity: 82%
	12 month	Remaining Capacity: 65%
Nominal operating temperature	25°C ±3°C(77°F ±5°F)	
Operating temperature range	-15°C~50°C(5°F~122°F)	
Float charging voltage(25°C)	13.50 to 13.80V	
Cyclic charging voltage(25°C)	14.50 to 14.90V	
Maximum charging current	19.5A	
Terminal material	Copper	
Maximum discharge current	650A(5 Sec.)	

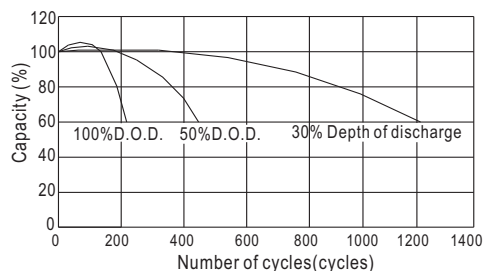
The Relationship for Open Circuit Voltage and Residual Capacity (25°C)



Charging Characteristics(25°C)



Cycle Life(25°C)



Constant Current Discharge Characteristics (A, 25°C)

F.V/TIME	5min	10min	15min	30min	60min	3h	5h	10h	20h
9.60V	205	143	110	67.0	41.0	16.7	11.7	6.65	3.45
10.2V	195	136	106	64.3	39.4	16.5	11.5	6.60	3.45
10.8V	183	128	100	61.1	37.4	16.2	11.3	6.50	3.40

Constant Power Discharge Characteristics (Watt, 25°C)

5min	10min	15min	30min	60min	3h	5h	10h	20h
2153	1544	1208	752	467	196	138	79.4	41.4
2045	1467	1159	722	449	194	136	78.8	41.4
1922	1379	1102	686	426	191	134	77.6	40.8