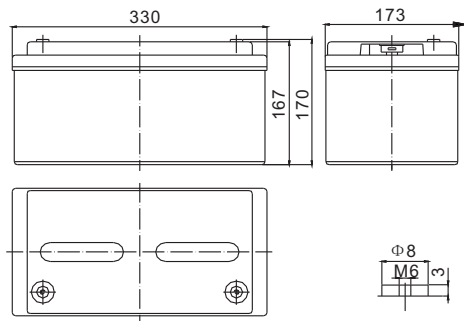


Standard Series LFP1265B 12V65Ah

FirstPower®

Dimension



T9
Terminal



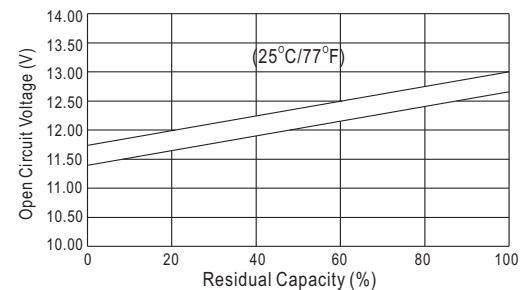
Specification

Nominal Voltage		12 V
Capacity(10HR, 25°C)		65Ah
Dimension	Length	330mm (13.0inch)
	Width	173mm (6.8inch)
	Height	167mm (6.6inch)
	Total Height	170mm (6.7inch)
Approx. Weight		21.2 kg (46.7lbs)

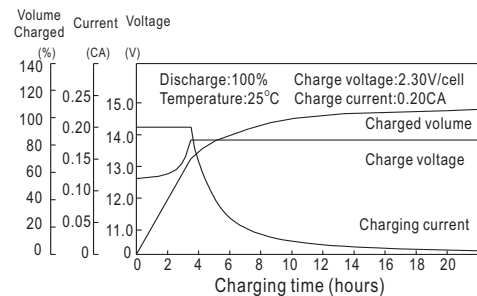
Characteristics

Capacity 20°C (68°F) To 1.70V/Cell	20 hour rate	69Ah
	10 hour rate	65Ah
	5 hour rate	57.5Ah
	1 hour rate	39.4Ah
	15 min rate	26.5Ah
Internal resistance(Fully charged, 25°C)		Approx.6m Ω
Capacity affected by temperature (10HR)	40°C	102%
	25°C	100%
	0°C	85%
	-15°C	65%
Self-discharge (25°C)	3 month	Remaining Capacity: 91%
	6 month	Remaining Capacity: 82%
	12 month	Remaining Capacity: 65%
Nominal operating temperature		25°C ±3°C(77°F ±5°F)
Operating temperature range		-15°C~50°C(5°F~122°F)
Float charging voltage(25°C)		13.50 to 13.80V
Cyclic charging voltage(25°C)		14.50 to 14.90V
Maximum charging current		19.5A
Terminal material		Copper
Maximum discharge current		650A(5 Sec.)

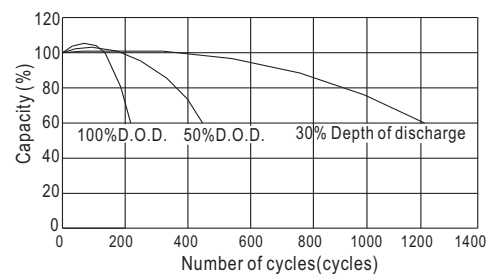
The Relationship for Open Circuit Voltage and Residual Capacity (25°C)



Charging Characteristics(25°C)



Cycle Life(25°C)



Constant Current Discharge Characteristics (A, 25°C)

F.V/TIME	5min	10min	15min	30min	60min	3h	5h	10h	20h
9.60V	205	143	110	67.0	41.0	16.7	11.7	6.65	3.45
10.2V	195	136	106	64.3	39.4	16.5	11.5	6.60	3.45
10.8V	183	128	100	61.1	37.4	16.2	11.3	6.50	3.40

Constant Power Discharge Characteristics (Watt, 25°C)

5min	10min	15min	30min	60min	3h	5h	10h	20h
2153	1544	1208	752	467	196	138	79.4	41.4
2045	1467	1159	722	449	194	136	78.8	41.4
1922	1379	1102	686	426	191	134	77.6	40.8